

8.2 IS PCB Information

This Section provides parts lists, circuit diagrams and component location information on the RF and control PCBs within the T3000 Series II IS handportable radio. Section 7, "PCB Information", explains how to use and interpret this information.

Note: T3000 VCO and PA PCBs have been FM approved for use within IS radios. These PCBs are also used in non-IS radios, and the PCB information is found in Section 6, "PCB Information". The PCBs in this category are:

PCB		Page
T3000-3000, -4000 VCO PCB	IPN 220-01283-01	6.4.1
T3000-5000 VCO PCB	IPN 220-01284-00	6.6.1
T3000-5000 PA PCB	IPN 220-01286-00	6.7.1
T3000-7000 VCO PCB	IPN 220-01288-01	6.8.1
T3000-7000 PA PCB	IPN 220-01291-01	6.9.1

The following IS PCBs are covered within Section 8.2:

Section	Title	Page	Frequency (MHz)
8.2.1	T3000-3000, -4000 IS RF PCB IPN 220-01233-06	8.2.3	136 to 174 175 to 208
8.2.2	T3000-5000, -7000 IS RF PCB IPN 220-01235-09	8.2.19	300 to 400 400 to 520
8.2.3	T3010 IS Control PCB IPN 220-01269-09	8.2.37	
8.2.4	T3020, T3030, T3035 & T3040 IS Enhanced Control PCB IPN 220-01294-08	8.2.51	

8.2.1 T3000-3000/-4000 IS RF PCB

T3000-3000/-4000 Parts List (IPN 220-01233-06)

Parts List Amendments			

Ref	Var	IPN	Description	Ref	Var	IPN	Description
C101		018-14100-00	CAP 0603 CHIP 1N 50V X7R +-10%	C221		014-06470-00	CAP TANT CHIP 470N 25V +-20% 6X3.2X2.5MM (S)
C102		015-25470-08	CAP CER 0805 CHIP 47N 10% X7R 50V	C222		014-06470-00	CAP TANT CHIP 470N 25V +-20% 6X3.2X2.5MM (S)
C103		015-25470-08	CAP CER 0805 CHIP 47N 10% X7R 50V	C223		015-24100-08	CAP CER 0805 CHIP 1N 10% X7R 50V
C104		014-07470-01	CAP TANT CHIP 4U7 'B' CASE 25V +-10% 267 SERI	C224		015-06150-08	CAP CER 1206 CHIP 150N 10% X7R 25VW 25V
C105		014-07470-01	CAP TANT CHIP 4U7 'B' CASE 25V +-10% 267 SERI	C226		015-06150-08	CAP CER 1206 CHIP 150N 10% X7R 25VW 25V
C106		018-15100-00	CAP 0603 CHIP 10N 50V X7R +-10%	C229		018-14100-00	CAP 0603 CHIP 1N 50V X7R +-10%
C109		018-15100-00	CAP 0603 CHIP 10N 50V X7R +-10%	C230		015-25470-08	CAP CER 0805 CHIP 47N 10% X7R 50V
C110		018-13150-00	CAP 0603 CHIP 150P 50V NPO +-5%	C231		014-07470-01	CAP TANT CHIP 4U7 'B' CASE 25V +-10% 267 SERI
C111		015-24100-08	CAP CER 0805 CHIP 1N 10% X7R 50V	C232		018-15100-00	CAP 0603 CHIP 10N 50V X7R +-10%
C112		018-15100-00	CAP 0603 CHIP 10N 50V X7R +-10%	C238		014-06470-00	CAP TANT CHIP 470N 25V +-20% 6X3.2X2.5MM (S)
C113		018-15100-00	CAP 0603 CHIP 10N 50V X7R +-10%	C300		018-15100-00	CAP 0603 CHIP 10N 50V X7R +-10%
*C115	31XX	015-22150-20	CAP CER 0805 CHIP 15P +-5% 200V NPO	CD301		276-00010-63	DISCRIMINATOR CER 455KHZ CDB455C16
*C115	32XX	015-22150-20	CAP CER 0805 CHIP 15P +-5% 200V NPO	#CF301	XX1X	276-00010-66	FLTR CER 455KHZ 20KHZ B/W CFV455D
*C115	41XX	015-22120-20	CAP CER 0805 CHIP 12P +-5% 200V NPO	#CF301	XX2X	276-00010-67	FLTR CER 455KHZ 8KHZ B/W CFV455G
C120		015-24100-08	CAP CER 0805 CHIP 1N 10% X7R 50V	*C301	31XX	018-12120-10	CAP 0603 CHIP 12P 50V NPO +-1%
*C121	31XX	015-22150-20	CAP CER 0805 CHIP 15P +-5% 200V NPO	*C301	32XX	018-12180-10	CAP 0603 CHIP 18P 50V NPO +-1%
*C121	32XX	015-22150-20	CAP CER 0805 CHIP 15P +-5% 200V NPO	*C301	41XX	018-12180-10	CAP 0603 CHIP 18P 50V NPO +-1%
*C121	41XX	015-22120-20	CAP CER 0805 CHIP 12P +-5% 200V NPO	*C302	31XX	018-11820-10	CAP 0603 CHIP 8P2 50V NPO +-0.1P
*C122	31XX	015-22120-20	CAP CER 0805 CHIP 12P +-5% 200V NPO	*C302	32XX	018-12150-10	CAP 0603 CHIP 15P 50V NPO +-1%
*C122	32XX	015-22120-20	CAP CER 0805 CHIP 12P +-5% 200V NPO	*C302	41XX	018-12180-10	CAP 0603 CHIP 18P 50V NPO +-1%
*C122	41XX	015-21680-20	CAP CER 0805 CHIP 6P8 +-0P25 200V NPO	*C303	31XX	018-14100-00	CAP 0603 CHIP 1N 50V X7R +-10%
*C123	31XX	015-22150-20	CAP CER 0805 CHIP 15P +-5% 200V NPO	*C303	32XX	018-14100-00	CAP 0603 CHIP 1N 50V X7R +-10%
*C123	32XX	015-22150-20	CAP CER 0805 CHIP 15P +-5% 200V NPO	*C303	41XX	018-13150-00	CAP 0603 CHIP 150P 50V NPO +-5%
*C123	41XX	015-22150-20	CAP CER 0805 CHIP 15P +-5% 200V NPO	*C304	31XX	018-12120-10	CAP 0603 CHIP 12P 50V NPO +-1%
*C124	31XX	015-22150-20	CAP CER 0805 CHIP 15P +-5% 200V NPO	*C304	32XX	018-12180-10	CAP 0603 CHIP 18P 50V NPO +-1%
*C124	32XX	015-22150-20	CAP CER 0805 CHIP 15P +-5% 200V NPO	*C304	41XX	018-12180-10	CAP 0603 CHIP 18P 50V NPO +-1%
*C124	41XX	015-22150-20	CAP CER 0805 CHIP 15P +-5% 200V NPO	*C305	31XX	018-11330-10	CAP 0603 CHIP 15P 50V NPO +-1%
*C125	31XX	015-21560-20	CAP CER 0805 CHIP 5P6 +-0P25 200V NPO	*C305	32XX	018-11180-10	CAP 0603 CHIP 1P8 50V NPO +-0.1P
*C125	32XX	015-21680-20	CAP CER 0805 CHIP 6P8 +-0P25 200V NPO	*C305	41XX	018-11270-10	CAP 0603 CHIP 2P7 50V NPO +-0.1P
*C125	41XX	015-21330-05	CAP CER 0805 CHIP 3P3+-0.1PFD 200V GRM40	C309		018-15100-00	CAP 0603 CHIP 10N 50V X7R +-10%
*C126	31XX	015-22120-20	CAP CER 0805 CHIP 12P +-5% 200V NPO	C310		018-15100-00	CAP 0603 CHIP 10N 50V X7R +-10%
*C126	32XX	015-22120-20	CAP CER 0805 CHIP 12P +-5% 200V NPO	C312		018-15100-00	CAP 0603 CHIP 10N 50V X7R +-10%
*C126	41XX	015-21680-20	CAP CER 0805 CHIP 6P8 +-0P25 200V NPO	*C315	31XX	018-12100-10	CAP 0603 CHIP 10P 50V NPO +-0.1P
*C127	31XX	015-22150-20	CAP CER 0805 CHIP 15P +-5% 200V NPO	*C315	32XX	018-11820-10	CAP 0603 CHIP 8P2 50V NPO +-0.1P
*C127	32XX	015-22150-20	CAP CER 0805 CHIP 15P +-5% 200V NPO	*C315	41XX	018-12100-10	CAP 0603 CHIP 10P 50V NPO +-0.1P
*C127	41XX	015-22120-20	CAP CER 0805 CHIP 12P +-5% 200V NPO	*C316	31XX	018-12150-10	CAP 0603 CHIP 15P 50V NPO +-1%
*C131	31XX	018-13100-10	CAP 0603 CHIP 100P 50V NPO +-1%	*C316	32XX	018-12180-10	CAP 0603 CHIP 18P 50V NPO +-1%
*C131	32XX	018-13100-10	CAP 0603 CHIP 100P 50V NPO +-1%	*C316	41XX	018-12220-10	CAP 0603 CHIP 22P 50V NPO +-1%
*C131	41XX	018-12120-10	CAP 0603 CHIP 12P 50V NPO +-1%	*C317	31XX	018-11680-10	CAP 0603 CHIP 6P8 50V NPO +-0.1P
*C132	31XX	018-12150-10	CAP 0603 CHIP 15P 50V NPO +-1%	*C317	32XX	018-11680-10	CAP 0603 CHIP 6P8 50V NPO +-0.1P
*C132	32XX	018-12150-10	CAP 0603 CHIP 15P 50V NPO +-1%	*C317	41XX	018-11470-10	CAP 0603 CHIP 4P7 50V NPO +-0.1P
*C132	41XX	018-12120-10	CAP 0603 CHIP 12P 50V NPO +-1%	*C318	31XX	018-14100-00	CAP 0603 CHIP 1N 50V X7R +-10%
C135		018-14100-00	CAP 0603 CHIP 1N 50V X7R +-10%	*C318	32XX	018-14100-00	CAP 0603 CHIP 1N 50V X7R +-10%
C136		018-14100-00	CAP 0603 CHIP 1N 50V X7R +-10%	*C318	41XX	018-13150-00	CAP 0603 CHIP 150P 50V NPO +-5%
C138		018-14100-00	CAP 0603 CHIP 1N 50V X7R +-10%	*C319	31XX	018-11330-10	CAP 0603 CHIP 3P3 50V NPO +-0.1P
C139		018-15100-00	CAP 0603 CHIP 10N 50V X7R +-10%	*C319	32XX	018-11330-10	CAP 0603 CHIP 3P3 50V NPO +-0.1P
C201		018-14100-00	CAP 0603 CHIP 1N 50V X7R +-10%	*C319	41XX	018-11470-10	CAP 0603 CHIP 4P7 50V NPO +-0.1P
C202		018-11330-10	CAP 0603 CHIP 3P3 50V NPO +-0.1P	*C320	31XX	018-11330-10	CAP 0603 CHIP 3P3 50V NPO +-0.1P
C203		018-15100-00	CAP 0603 CHIP 10N 50V X7R +-10%	*C320	32XX	018-11180-10	CAP 0603 CHIP 1P8 50V NPO +-0.1P
C204		018-12180-10	CAP 0603 CHIP 18P 50V NPO +-1%	*C320	41XX	018-11100-10	CAP 0603 CHIP 1P8 50V NPO +-0.1P
C205		015-22680-01	CAP CER 0805 CHIP 68P 5% NPO 50V	C325		018-15100-00	CAP 0603 CHIP 10N 50V X7R +-10%
C206		018-14100-00	CAP 0603 CHIP 1N 50V X7R +-10%	*C326	31XX	018-12150-10	CAP 0603 CHIP 15P 50V NPO +-1%
C209		015-22680-01	CAP CER 0805 CHIP 68P 5% NPO 50V	*C326	32XX	018-12180-10	CAP 0603 CHIP 18P 50V NPO +-1%
C210		018-15100-00	CAP 0603 CHIP 10N 50V X7R +-10%	*C326	41XX	018-12220-10	CAP 0603 CHIP 22P 50V NPO +-1%
C211		018-15100-00	CAP 0603 CHIP 10N 50V X7R +-10%	*C327	31XX	018-14100-00	CAP 0603 CHIP 1N 50V X7R +-10%
C212		018-15100-00	CAP 0603 CHIP 10N 50V X7R +-10%	*C327	32XX	018-14100-00	CAP 0603 CHIP 1N 50V X7R +-10%
C213		018-15100-00	CAP 0603 CHIP 10N 50V X7R +-10%	*C327	41XX	018-13150-00	CAP 0603 CHIP 150P 50V NPO +-5%
C214		018-15100-00	CAP 0603 CHIP 10N 50V X7R +-10%	*C328	31XX	018-11330-10	CAP 0603 CHIP 3P3 50V NPO +-0.1P
C215		014-07470-01	CAP TANT CHIP 4U7 'B' CASE 25V +-10% 267 SERI	*C328	32XX	018-11180-10	CAP 0603 CHIP 1P8 50V NPO +-0.1P
C216		018-15100-00	CAP 0603 CHIP 10N 50V X7R +-10%	*C328	41XX	018-11100-10	CAP 0603 CHIP 1P0 50V NPO +-0.1P
C217		018-15100-00	CAP 0603 CHIP 10N 50V X7R +-10%	*C329	31XX	018-12100-10	CAP 0603 CHIP 10P 50V NPO +-0.1P
C218		015-06150-08	CAP CER 1206 CHIP 150N 10% X7R 25VW 25V	*C329	32XX	018-11820-10	CAP 0603 CHIP 8P2 50V NPO +-0.1P
C219		015-06150-08	CAP CER 1206 CHIP 150N 10% X7R 25VW 25V	*C329	41XX	018-12100-10	CAP 0603 CHIP 10P 50V NPO +-0.1P
C220		018-15100-00	CAP 0603 CHIP 10N 50V X7R +-10%	C330		018-15100-00	CAP 0603 CHIP 10N 50V X7R +-10%

Ref	Var	IPN	Description	Ref	Var	IPN	Description
C333		018-12470-10	CAP 0603 CHIP 47P 50V NPO +1%	*L112	31XX	056-10820-00	IND FXD SMD 820NH 3.2*2.5*1.6 SIEMENS SMID01
#C334	XX1X	018-13100-10	CAP 0603 CHIP 100P 50V NPO +1%	*L112	32XX	056-10820-02	(L) IND SMD 820NH SIEMENS SMID02
#C334	XX2X	018-15100-00	CAP 0603 CHIP 10N 50V X7R +10%	*L112	41XX	056-10330-02	(L) IND SMD 330NH SIEMENS SMID02
#C335	XX1X	018-12270-10	CAP 0603 CHIP 27P 50V NPO +1%	*L301	31XX	050-00016-73	COIL RF 71NH NOM 5.5T CORELESS SHLD NE547
#C335	XX2X	018-12270-10	CAP 0603 CHIP 27P 50V NPO +1%	*L301	32XX	050-00016-72	COIL RF 57NH NOM 4.5T CORELESS SHLD NE547
#C336	XX1X	018-12120-10	CAP 0603 CHIP 12P 50V NPO +1%	*L301	41XX	050-00016-71	COIL RF 42NH NOM 3.5T CORELESS SHLD NE547
#C336	XX2X	018-12180-10	CAP 0603 CHIP 18P 50V NPO +1%	*L302	31XX	056-10820-00	IND FXD SMD 820NH 3.2*2.5*1.6 SIEMENS SMID01
#C337	XX1X	018-15100-00	CAP 0603 CHIP 10N 50V X7R +10%	*L302	32XX	056-10820-02	(L) IND SMD 820NH SIEMENS SMID02
#C337	XX2X	018-15100-00	CAP 0603 CHIP 10N 50V X7R +10%	*L302	41XX	056-10330-02	(L) IND SMD 330NH SIEMENS SMID02
C338		018-12470-10	CAP 0603 CHIP 47P 50V NPO +1%	*L306	31XX	050-00016-73	COIL RF 71NH NOM 5.5T CORELESS SHLD NE547
#C340	XX1X	018-11180-10	CAP 0603 CHIP 1P8 50V NPO +0.1P	*L306	32XX	050-00016-72	COIL RF 57NH NOM 4.5T CORELESS SHLD NE547
#C341	XX1X	018-12220-10	CAP 0603 CHIP 22P 50V NPO +1%	*L306	41XX	050-00016-71	COIL RF 42NH NOM 3.5T CORELESS SHLD NE547
#C341	XX2X	018-15100-00	CAP 0603 CHIP 10N 50V X7R +10%	*L307	31XX	050-00016-73	COIL RF 71NH NOM 5.5T CORELESS SHLD NE547
C342		018-15100-00	CAP 0603 CHIP 10N 50V X7R +10%	*L307	32XX	050-00016-72	COIL RF 57NH NOM 4.5T CORELESS SHLD NE547
C343		018-15100-00	CAP 0603 CHIP 10N 50V X7R +10%	*L307	41XX	050-00016-71	COIL RF 42NH NOM 3.5T CORELESS SHLD NE547
C344		018-15100-00	CAP 0603 CHIP 10N 50V X7R +10%	L310		056-14150-00	IND FXD SMD 1.5UH 3.2*2.5*1.6 SIEMENS SMID01
#C345	XX1X	018-12100-10	CAP 0603 CHIP 10P 50V NPO +0.1P	#L311	XX1X	056-14330-02	(L) IND SMD 3.3UH SIEMENS SMID02
#C345	XX2X	018-15100-00	CAP 0603 CHIP 10N 50V X7R +10%	#L311	XX2X	056-10068-02	(L) IND SMD 68NH SIEMENS SMID02
#C347	XX1X	018-11390-10	CAP 0603 CHIP 3P9 50V NPO +0.1P	#L312	XX1X	056-14680-00	IND FXD SMD 6.8UH 3.2*2.5*1.6 SIEMENS SMID01
#C347	XX2X	018-12740-10	CAP 0603 CHIP 2P7 50V NPO +0.1P	#L315	XX1X	056-14680-00	IND FXD SMD 6.8UH 3.2*2.5*1.6 SIEMENS SMID01
C349		018-15100-00	CAP 0603 CHIP 10N 50V X7R +10%	*M100	31XX	004-00060-71	MODULE RF PWR MHW607-1 136-154MHZ 7W 7V
#C350	XX2X	018-11390-10	CAP 0603 CHIP 3P9 50V NPO +0.1P	*M100	32XX	004-00060-72	MODULE RF PWR MHW607-2 146-174MHZ 7W 7V
C352		018-15100-00	CAP 0603 CHIP 10N 50V X7R +10%	*M100	41XX	004-00060-73	MODULE RF PWR MHW607-3 174-195MHZ 7W 7V
C354		018-12270-10	CAP 0603 CHIP 27P 50V NPO +1%	MX301		002-10000-11	(S) IC SMD SMD-K1 DOUBLE BALANCED MIXER
C356		018-12270-10	CAP 0603 CHIP 27P 50V NPO +1%				
C359		018-15100-00	CAP 0603 CHIP 10N 50V X7R +10%				
C360		014-07470-01	CAP TANT CHIP 4U7 'B' CASE 25V +10% 267 SERI	PL201		240-00026-27	CONN 5WAY MALE INTERCONNECT STRIP PCB
C361		015-25470-08	CAP CER 0805 CHIP 47N 10% X7R 50V				
C362		015-25470-08	CAP CER 0805 CHIP 47N 10% X7R 50V	Q101		000-02135-90	(S) XSTR 2SA1359-Y PNP AF PWR TO126
C363		015-25470-08	CAP CER 0805 CHIP 47N 10% X7R 50V	Q102		000-10084-81	(S) XSTR SMD BC848BW NPN SOT-323 SMALL SI
C364		018-12270-10	CAP 0603 CHIP 27P 50V NPO +1%	Q201		000-10008-92	(S) XSTR SMD BFS17 NPN SOT-23 UHF SMALL SI
C367		018-15100-00	CAP 0603 CHIP 10N 50V X7R +10%	Q203		000-10084-81	(S) XSTR SMD BC848BW NPN SOT-323 SMALL SI
C368		018-15100-00	CAP 0603 CHIP 10N 50V X7R +10%	Q205		000-10085-71	(S) XSTR SMD BC857BW PNP SOT-323 SMALL SI
#C369	XX1X	015-23120-01	CAP CER 0805 CHIP 120P 5% NPO 50V	Q301		000-10009-41	(S) XSTR SMD MMBR941L RF LOW NOISE SOT23
#C369	XX2X	015-23150-01	CAP CER 0805 CHIP 150P 5% NPO 50V	Q303		000-10008-92	(S) XSTR SMD BFS17 NPN SOT-23 UHF SMALL SI
#C370	XX1X	015-23120-01	CAP CER 0805 CHIP 120P 5% NPO 50V	Q304		000-10009-41	(S) XSTR SMD MMBR941L RF LOW NOISE SOT23
#C370	XX2X	015-23150-01	CAP CER 0805 CHIP 150P 5% NPO 50V	Q306		000-10084-81	(S) XSTR SMD BC848BW NPN SOT-323 SMALL SI
C371		014-07470-01	CAP TANT CHIP 4U7 'B' CASE 25V +10% 267 SERI	Q307		000-10084-81	(S) XSTR SMD BC848BW NPN SOT-323 SMALL SI
C372		018-12330-10	CAP 0603 CHIP 33P 50V NPO +1%				
C373		018-15100-00	CAP 0603 CHIP 10N 50V X7R +10%	*R101	31XX	038-13330-00	RES 0603 CHIP 330E 1/16W +5%
#C373	XX1X	015-23180-01	CAP CER 0805 CHIP 180P 5% NPO 50V	*R101	32XX	038-13330-00	RES 0603 CHIP 330E 1/16W +5%
#C373	XX2X	015-23680-08	CAP CER 0805 CHIP 680P 10% X7R 50V	*R101	41XX	038-13150-00	RES 0603 CHIP 150E 1/16W +5%
C374		014-06470-00	CAP TANT CHIP 470N 25V +20% 6X3.2X2.5MM (S	*R102	31XX	038-12220-00	RES 0603 CHIP 22E 1/16W +5%
C375		018-15100-00	CAP 0603 CHIP 10N 50V X7R +10%	*R102	32XX	038-12220-00	RES 0603 CHIP 22E 1/16W +5%
C380		018-15100-00	CAP 0603 CHIP 10N 50V X7R +10%	*R102	41XX	038-12470-00	RES 0603 CHIP 47E 1/16W +5%
C381		018-15100-00	CAP 0603 CHIP 10N 50V X7R +10%	*R103	31XX	038-13330-00	RES 0603 CHIP 330E 1/16W +5%
C383		018-15100-00	CAP 0603 CHIP 10N 50V X7R +10%	*R103	32XX	038-13330-00	RES 0603 CHIP 330E 1/16W +5%
				*R103	41XX	038-13150-00	RES 0603 CHIP 150E 1/16W +5%
D102		001-10006-20	(S) DIODE SMD BRY62 TRIGGER SOT143	R106		038-11470-00	RES 0603 CHIP 4E7 1/16W +5%
D103		001-10012-50	(S) DIODE SMD MA4P1250 PIN 3 X 2MM	R107		036-10000-00	RES M/F 0805 CHIP ZER0 OHM
D104		001-10012-50	(S) DIODE SMD MA4P1250 PIN 3 X 2MM	R108		038-11470-00	RES 0603 CHIP 4E7 1/16W +5%
D201		001-10001-61	(S) DIODE SMD BAS16W HIGH SPEED GEN PURP	R109		036-10000-00	RES M/F 0805 CHIP ZER0 OHM
D202		001-10006-39	(S) DIODE SMD VARICAP BB639 SOD323	R110		036-00120-04	RES 1210 0E12 0.5W 5%
D203		001-10006-39	(S) DIODE SMD VARICAP BB639 SOD323	R113		038-15470-00	RES 0603 CHIP 47K 1/16W +5%
D204		001-10001-61	(S) DIODE SMD BAS16W HIGH SPEED GEN PURP	R114		038-14100-00	RES 0603 CHIP 1K0 1/16W +5%
D205		001-10001-61	(S) DIODE SMD BAS16W HIGH SPEED GEN PURP	R116		036-13330-00	RES M/F 0805 CHIP 330E 5%
D206		001-10001-61	(S) DIODE SMD BAS16W HIGH SPEED GEN PURP	R117		036-13330-00	RES M/F 0805 CHIP 330E 5%
D207		001-10001-61	(S) DIODE SMD BAS16W HIGH SPEED GEN PURP	R118		036-13330-00	RES M/F 0805 CHIP 330E 5%
D301		001-10006-39	(S) DIODE SMD VARICAP BB639 SOD323	R129		038-16100-00	RES 0603 CHIP 100K 1/16W +5%
D302		001-10006-39	(S) DIODE SMD VARICAP BB639 SOD323	R130		038-13330-00	RES 0603 CHIP 330E 1/16W +5%
D303		001-10006-39	(S) DIODE SMD VARICAP BB639 SOD323	R131		038-13330-00	RES 0603 CHIP 330E 1/16W +5%
FUSE		265-10050-00	FUSE SMD 500MA 63V 0805 CER CHIP	R132		038-14470-00	RES 0603 CHIP 4K7 1/16W +5%
FUSE2		265-10300-10	FUSE SMD 1206 3A 63V	R133		038-14220-00	RES 0603 CHIP 2K2 1/16W +5%
IC101		002-10003-58	(S) IC SMD LM358 DUAL OP AMP	R134		038-17100-00	RES 0603 CHIP 1M 1/16W +5%
IC201		002-14519-10	(S) IC MC145191F SMD SYNTHESIZER	R135		038-16100-00	RES 0603 CHIP 100K 1/16W +5%
IC202		002-11155-00	(S) IC TK11550M SMD SWITCHABLE 5V REG SO-8	R136		038-17100-00	RES 0603 CHIP 1M 1/16W +5%
IC203		002-10006-62	(S) IC SMD LMC662CM DUAL CMOS OP-AMP	R138		036-15270-20	RES M/F 0805 CHIP 27K 0.5%
IC301		002-10337-20	(S) IC MC3372D SMD FM IF DETECTOR	R139		036-15100-20	RES M/F 0805 CHIP 10K 0.5%
L101		065-10004-20	BEAD FE SMD CBD 4.6/3/3-4S2	R141		038-16470-00	RES 0603 CHIP 470K 1/16W +5%
L102		065-10004-20	BEAD FE SMD CBD 4.6/3/3-4S2	R142		038-16470-00	RES 0603 CHIP 470K 1/16W +5%
L104		056-10820-00	IND FXD SMD 820NH 3.2*2.5*1.6 SIEMENS SMID01	R143		038-15100-00	RES 0603 CHIP 10K 1/16W +5%
*L106	31XX	052-56140-45	COIL A/W 4.5T/4.0MM HOR 0.56MM WIRE	R144		038-15100-00	RES 0603 CHIP 10K 1/16W +5%
*L106	32XX	052-56130-55	COIL A/W 5.5T/3.0MM HOR 0.56MM WIRE	R145		036-15270-20	RES M/F 0805 CHIP 27K 0.5%
*L106	41XX	052-56130-45	COIL A/W 4.5T/3.0MM HOR 0.56MM WIRE	R146		036-15100-20	RES M/F 0805 CHIP 10K 0.5%
*L107	31XX	052-56145-35	COIL A/W 3.5T/4.5MM HOR 0.56MM	R200		038-14220-00	RES 0603 CHIP 2K2 1/16W +5%
*L107	32XX	052-56135-35	COIL A/W 3.5T/3.5MM HOR 0.56MM WIRE	R201		038-15270-00	RES 0603 CHIP 27K 1/16W +5%
*L107	41XX	052-56125-55	COIL A/W 5.5T/2.5MM HOR 0.56MM WIRE	R202		038-15470-00	RES 0603 CHIP 47K 1/16W +5%
*L108	31XX	052-56140-45	COIL A/W 4.5T/4.0MM HOR 0.56MM WIRE	R203		038-14100-00	RES 0603 CHIP 1K0 1/16W +5%
*L108	32XX	052-56135-45	COIL A/W 4.5T/3.5MM HOR 0.56MM WIRE	R204		038-16100-00	RES 0603 CHIP 100K 1/16W +5%
*L108	41XX	052-56140-35	COIL A/W 3.5T/4.0MM HOR 0.56MM WIRE	R205		036-14470-00	RES M/F 0805 CHIP 4K7 5%
*L111	31XX	052-56140-45	COIL A/W 4.5T/4.0MM HOR 0.56MM WIRE	R206		036-15330-00	RES M/F 0805 CHIP 33K 5%
*L111	32XX	052-56145-35	COIL A/W 3.5T/4.5MM HOR 0.56MM	R207		038-14100-00	RES 0603 CHIP 1K0 1/16W +5%
*L111	41XX	052-56140-35	COIL A/W 3.5T/4.0MM HOR 0.56MM WIRE	R208		038-14220-00	RES 0603 CHIP 2K2 1/16W +5%
				R209		045-15100-00	RES NTC SMD 10K 5%
				R210		036-14820-00	RES M/F 0805 CHIP 8K2 5%
				R211		036-14220-00	RES M/F 0805 CHIP 2K2 5%

Ref	Var	IPN	Description	Ref	Var	IPN	Description
R212		036-15220-00	RES M/F 0805 CHIP 22K 5%	#R371	XX2X	036-14820-10	RES M/F 0805 CHIP 8K2 1%
R213		038-13100-00	RES 0603 CHIP 100E 1/16W +5%	#R380	XX2X	038-15100-00	RES 0603 CHIP 10K 1/16W +5%
R214		038-14150-00	RES 0603 CHIP 1K5 1/16W +5%	#R381	XX2X	045-15100-00	RES NTC SMD 10K 5%
R215		038-15150-00	RES 0603 CHIP 15K 1/16W +5%	#R382	XX1X	036-15220-00	RES M/F 0805 CHIP 22K 5%
R216		038-15100-00	RES 0603 CHIP 10K 1/16W +5%	#R382	XX2X	036-15680-00	RES M/F 0805 CHIP 68K 5%
R217		038-12220-00	RES 0603 CHIP 22E 1/16W +5%	SK-FLX		240-02010-92	CONN 22WAY FFC MOLEX STRAIGHT (LEADED P
R217A		038-13330-00	RES 0603 CHIP 330E 1/16W +5%	SK202		240-02010-91	CONN 5WAY FEM LOW PROF SKT STRIP PCB MN
R218		038-12220-00	RES 0603 CHIP 22E 1/16W +5%	XL201		274-01058-00	XTAL 12.8MHZ TE/45 +5PPM UM-1 3 LEAD PKG T
R219		038-12220-00	RES 0603 CHIP 22E 1/16W +5%	XL301		274-00010-21	XTAL 20.945MHZ SPEC TE/21 UM-1 C/W TEFLON
R220		038-12220-00	RES 0603 CHIP 22E 1/16W +5%	#XF301	XX1X	276-00010-47	FLTR XTAL 21.4MHZ 15KHZ B/W 2POLE 21N15A
R221		038-14100-00	RES 0603 CHIP 1K0 1/16W +5%	#XF301	XX2X	276-00010-46	FLTR XTAL 21.4MHZ 7.5KHZ B/W 2POLE 21N7.5A
R222		038-15470-00	RES 0603 CHIP 47K 1/16W +5%	#XF302	XX1X	276-00010-47	FLTR XTAL 21.4MHZ 15KHZ B/W 2POLE 21N15A
R223		038-15470-00	RES 0603 CHIP 47K 1/16W +5%	#XF302	XX2X	276-00010-46	FLTR XTAL 21.4MHZ 7.5KHZ B/W 2POLE 21N7.5A
*R224	31XX	036-14330-00	RES M/F 0805 CHIP 3K3 5%				
*R224	32XX	036-14330-00	RES M/F 0805 CHIP 3K3 5%				
*R224	41XX	036-14390-00	RES M/F 0805 CHIP 3K9 5%				
R228		038-13100-00	RES 0603 CHIP 100E 1/16W +5%				
R229		038-14220-00	RES 0603 CHIP 2K2 1/16W +5%				
R230		036-16330-00	RES M/F 0805 CHIP 330K 5%				
R235		038-15150-00	RES 0603 CHIP 15K 1/16W +5%				
R240		038-14220-00	RES 0603 CHIP 2K2 1/16W +5%				
R241		038-15470-00	RES 0603 CHIP 47K 1/16W +5%				
R242		038-15100-00	RES 0603 CHIP 10K 1/16W +5%				
R245		038-12100-00	RES 0603 CHIP 10E 1/16W +5%				
*R301	31XX	036-13470-00	RES M/F 0805 CHIP 470E 5%				
*R301	32XX	036-13470-00	RES M/F 0805 CHIP 470E 5%				
*R301	41XX	036-13560-00	RES M/F 0805 CHIP 560E 5%				
R302		038-14680-00	RES 0603 CHIP 6K8 1/16W +5%				
R303		038-13680-00	RES 0603 CHIP 680E 1/16W +5%				
R304		038-15100-00	RES 0603 CHIP 10K 1/16W +5%				
R305		038-16100-00	RES 0603 CHIP 100K 1/16W +5%				
R306		038-14470-00	RES 0603 CHIP 4K7 1/16W +5%				
R307		038-12100-00	RES 0603 CHIP 10E 1/16W +5%				
R308		038-15100-00	RES 0603 CHIP 10K 1/16W +5%				
R309		038-16100-00	RES 0603 CHIP 100K 1/16W +5%				
R310		038-16100-00	RES 0603 CHIP 100K 1/16W +5%				
R311		036-12470-00	RES M/F 0805 CHIP 47E 5%				
R312		038-12220-00	RES 0603 CHIP 22E 1/16W +5%				
R317		038-13100-00	RES 0603 CHIP 100E 1/16W +5%				
R318		038-14150-00	RES 0603 CHIP 1K5 1/16W +5%				
R319		038-14220-00	RES 0603 CHIP 2K2 1/16W +5%				
R320		038-13100-00	RES 0603 CHIP 100E 1/16W +5%				
R322		038-15150-00	RES 0603 CHIP 15K 1/16W +5%				
#R323	XX1X	038-15100-00	RES 0603 CHIP 10K 1/16W +5%				
#R323	XX2X	038-15150-00	RES 0603 CHIP 15K 1/16W +5%				
R324		036-12470-00	RES M/F 0805 CHIP 47E 5%				
R325		038-15100-00	RES 0603 CHIP 10K 1/16W +5%				
#R328	XX1X	038-14330-00	RES 0603 CHIP 3K3 1/16W +5%				
#R328	XX2X	038-14150-00	RES 0603 CHIP 1K5 1/16W +5%				
#R329	XX1X	038-14220-00	RES 0603 CHIP 2K2 1/16W +5%				
#R329	XX2X	038-14100-00	RES 0603 CHIP 1K0 1/16W +5%				
#R330	XX1X	038-14470-00	RES 0603 CHIP 4K7 1/16W +5%				
#R330	XX2X	038-14150-00	RES 0603 CHIP 1K5 1/16W +5%				
R332		038-14150-00	RES 0603 CHIP 1K5 1/16W +5%				
R333		038-14680-00	RES 0603 CHIP 6K8 1/16W +5%				
R334		038-15270-00	RES 0603 CHIP 27K 1/16W +5%				
R335		038-14150-00	RES 0603 CHIP 1K5 1/16W +5%				
R337		038-14220-00	RES 0603 CHIP 2K2 1/16W +5%				
R338		038-12220-00	RES 0603 CHIP 22E 1/16W +5%				
R339		036-14180-00	RES M/F 0805 CHIP 1K8 5%				
R340		038-15470-00	RES 0603 CHIP 47K 1/16W +5%				
#R341	XX1X	038-14470-00	RES 0603 CHIP 4K7 1/16W +5%				
#R341	XX2X	038-15100-00	RES 0603 CHIP 10K 1/16W +5%				
R344		045-15100-00	RES NTC SMD 10K 5%				
R345		038-15100-00	RES 0603 CHIP 10K 1/16W +5%				
R346		038-15470-00	RES 0603 CHIP 47K 1/16W +5%				
R347		036-10000-00	RES M/F 0805 CHIP ZERO OHM				
R348		038-14470-00	RES 0603 CHIP 4K7 1/16W +5%				
R349		038-15100-00	RES 0603 CHIP 10K 1/16W +5%				
R350		036-16560-00	RES M/F 0805 CHIP 560K 5%				
R354		038-14100-00	RES 0603 CHIP 1K0 1/16W +5%				
R356		038-13100-00	RES 0603 CHIP 100E 1/16W +5%				
R357		038-14470-00	RES 0603 CHIP 4K7 1/16W +5%				
R358		036-16180-00	RES M/F 0805 CHIP 180K 5%				
R359		038-14100-00	RES 0603 CHIP 1K0 1/16W +5%				
R360		038-15270-00	RES 0603 CHIP 27K 1/16W +5%				
#R361	XX1X	036-16560-00	RES M/F 0805 CHIP 560K 5%				
#R361	XX2X	036-16330-00	RES M/F 0805 CHIP 330K 5%				
R362		038-15470-00	RES 0603 CHIP 47K 1/16W +5%				
R363		036-16100-00	RES M/F 0805 CHIP 100K 5%				
R368		038-14220-00	RES 0603 CHIP 2K2 1/16W +5%				
#R369	XX1X	036-14470-00	RES M/F 0805 CHIP 4K7 5%				
#R369	XX2X	036-14470-00	RES M/F 0805 CHIP 4K7 5%				
#R370	XX1X	036-14150-00	RES M/F 0805 CHIP 1K5 5%				
#R370	XX2X	036-14120-00	RES M/F 0805 CHIP 1K2 5%				
#R371	XX1X	036-15100-10	RES M/F 0805 CHIP 10K 1%				

Note: The first character in the variant column refers to frequency band, the second refers to frequency sub-band and the third refers to the IF bandwidth, as follows:

31XX	136-154MHz
32XX	146-174MHz
41XX	174-195MHz
XX1X	15kHz IF bandwidth
XX2X	7.5kHz IF bandwidth

T3000-3000/-4000 Mechanical & Miscellaneous Parts

IPN	Description	IPN	Description
220-01233-06	PCB T3300 IS 136-174MHZ		
220-01266-01	PCB T3000 RF FLEX-LOOM		
220-01285-04	PCB T3000 AERIAL SWITCH		
232-02034-02	(L) CAP A4M2868 AERIAL SWITCH		
232-02035-02	CASE A4M2869 T3000 AERIAL SWITCH		
303-11200-00	CHASSIS T3000 DCAST (BEAD BLSTD COMPLT 1997 T		
303-20053-00	COVER T3000 ACC PIN & AERIAL SWITCH(CLIP ON)		
303-20056-00	COVER REAR T3000 SII		
303-50025-03	CONTACT RADIO CONNECTOR T3000 (BE CU)		
303-50026-00	CONTACT A4M2767 T3000 AERIAL (PCB SWITCH)		
303-50070-00	CLIP A4M2648 XSTR MTG T2000PA/T555'S		
303-50079-01	(L) CLIP A3M2789 T3000 BELT		
308-00011-02	MOULDING A1M2717 T3000 RADIO BAT CONTACT		
312-01074-00	LID T3000 BTM DCAST BEAD BLASTED COMPL(1997 T		
316-85024-00	(L) PIN A4M2867 AERIAL SWITCH T3000		
316-85025-01	(L) EARTH RING A4M2870 T3000		
319-01041-01	(L) SPRING A4M2872 T3000 AERIAL SWITCH		
319-01048-03	STUD A4M2718 AERIAL MNT T3000		
319-01222-00	SHIELD T3000 DCAST BEAD BLSTD COMPLETE		
345-00010-11	(L) SCREW M2*9.4MM PAN POZI SS		
345-00020-02	SCREW M2.5 * 10 PAN POZI ST BZ		
345-00020-03	(L) SCREW M2.5X5MM CSK POZI MACHINE BLACK		
345-00020-08	SCREW M2.5*16MM PAN POZI ST BZ		
345-00020-10	SCREW M2.5*20MM PAN POZI ST BZ		
345-00030-20	SCREW M2.5 X 8MM BLACK CSK POZI MACHINE SCRE		
353-00010-02	WASHER M2 SHAKEPROOF INT BZ		
354-01038-01	FASTENER A4M2783 MODULE T3000		
358-01021-00	EYELET 20*13*25		
360-02014-00	SPACER SIL T3000 RADIO BAT CONTACT SUPPORT		
362-01059-02	BUSH INS A4M2713 AERIAL STUD T3000		
362-01074-00	GASKET T3000 ACC PIN & AERIAL SWITCH COVER		
362-01077-01	SEAL SIL T3000 PERIMETER GASKET		
362-01086-00	SEAL SIL T3000 RADIO BAT CONTACT (C/W TAPE)		
365-00100-20	LABEL WHITE S/A 28X11MM QUIKSTIK RW718/4		
369-00020-48	TAPE 2 SIDE 20MM * 50M ROLL (4959)		
T952-225	PRR) ANTENNA 148-225M (TUNABLE) VHF/BAND III)		

T3000-3000/-4000 Grid Reference Index (IPN 220-01233-06)

Device	PCB	Circuit	Device	PCB	Circuit	Device	PCB	Circuit	Device	PCB	Circuit
A-2	1:E2	1-B7	C238	1:B4	2-K1	D201	2:B5	2-B9	R108	1:D2	1-C5
			C300	2:E5	3-A8	D202	2:D4	2-C7	R109	1:D2	1-C6
B-2	1:A3	1-E7	*C301	2:B5	3-B6	D203	2:D4	2-D7	R110	2:B2	1-D5
B-3	1:A3	1-F7	*C302	2:B5	3-B6	D204	1:B4	2-G5	R113	2:B2	1-D8
B-4	1:A4	1-G7	*C303	2:B6	3-B6	D205	1:B4	2-K2	R114	1:B2	1-E8
B-5	1:B7	1-J7	*C304	2:B5	3-B6	D206	1:C4	2-L1	R116	1:A2	1-E8
			*C305	2:B6	3-C6	D207	1:B4	2-K2	R117	1:A2	1-F8
C-1	1:E3	1-A7	C309	1:B6	3-B7	D301	2:B6	3-B6	R118	1:B2	1-F8
C-2	2:B4	1-H5	C310	2:C6	3-C7	D302	2:C6	3-E6	R129	2:C3	1-B1
C101	1:E2	1-B7	C312	1:C5	3-C8	D303	2:D6	3-F6	R130	2:D3	1-D2
C102	2:C3	1-C5	*C315	2:C5	3-D7				R131	2:D2	1-E1
C103	1:D2	1-C6	*C316	2:C5	3-D6	FUSE	1:D2	1-A5	R132	2:E2	1-E3
C104	1:C2	1-D6	*C317	2:C5	3-D6	FUSE2	2:B2	1-D5	R133	2:D2	1-E3
C105	1:C2	1-D6	*C318	2:C6	3-E6				R134	2:D2	1-F3
C106	1:C3	1-D4	*C319	2:D5	3-E7	IC101	2:D2	1-F2	R135	2:C3	1-G2
C109	2:B2	1-C9	*C320	2:C6	3-E5	IC101	2:D2	1-J3	R136	2:D2	1-F3
C110	2:B2	1-D8	C325	1:D6	3-E7	IC101	2:D2	1-H2	R138	2:C2	1-H3
C111	2:A2	1-E7	*C326	2:D5	3-E6	IC201	2:C4	2-F6	R139	2:C2	1-H3
C112	1:B2	1-F7	*C327	2:D6	3-F6	IC202	1:B3	2-C2	R141	2:C2	1-G2
C113	2:B2	1-E9	*C328	2:D6	3-F5	IC203	1:D4	2-K8	R142	2:C2	1-H2
*C115	1:A4	1-G6	*C329	2:D5	3-F7	IC203	1:D4	2-L8	R143	2:C2	1-H2
C120	2:A5	1-G7	C330	1:C6	3-E8	IC203	1:D4	2-B7	R144	2:C2	1-H3
*C121	2:A5	1-H6	C333	1:D6	3-G6	IC301	2:C7	3-L3	R145	2:C3	1-J2
*C122	2:A5	1-H6	#C334	1:E6	3-H7	IC301	2:C7	3-J3	R146	2:C3	1-J2
*C123	2:A6	1-H6	#C335	1:E5	3-H6	IC301	2:C7	3-C2	R200	2:B5	2-C9
*C124	2:A6	1-J6	#C336	1:E6	3-H6	IC301	2:C7	3-F2	R201	2:D4	2-B6
*C125	2:A6	1-H7	#C337	2:E7	3-J7				R202	2:D4	2-B6
*C126	2:B7	1-J6	C338	1:D6	3-K7	L101	1:C2	1-D6	R203	2:D4	2-C7
*C127	2:A7	1-J6	#C340	2:E6	3-K6	L102	1:B2	1-D6	R204	2:D4	2-C7
*C128	2:B7	1-K6	#C341	1:E7	3-K7	L104	1:B3	1-E7	R205	2:D3	2-D8
*C131	2:A4	1-G5	C342	1:D6	3-J7	*L106	1:A5	1-H7	R206	2:D4	2-E8
*C132	2:B4	1-H5	C343	1:D7	3-L8	*L107	1:A6	1-H7	R207	2:C4	2-E8
C135	2:E3	1-B5	C344	1:E7	3-K7	*L108	1:A7	1-J7	R208	2:C4	2-F7
C136	2:E3	1-D3	#C345	1:D7	3-L7	*L111	1:A4	1-G5	R209	2:D3	2-D6
C138	2:D2	1-F3	#C347	1:D7	3-L6	*L112	2:A3	1-G4	R210	2:D3	2-D6
C139	2:D2	1-F1	C349	1:D7	3-A2	*L301	1:B5	3-B5	R211	2:D3	2-D6
C200	2:B5	2-B8	#C350	2:D7	3-B2	*L302	2:C6	3-C7	R212	2:D4	2-E6
C201	2:D4	2-C7	C352	2:C7	3-C2	*L306	1:C5	3-E5	R213	2:D4	2-E6
C202	2:D4	2-C7	C354	2:C7	3-C2	*L307	1:D5	3-F5	R214	2:D4	2-E6
C203	2:D3	2-C6	C356	2:C7	3-C2	L310	1:E6	3-H7	R215	2:C5	2-F6
C204	2:D3	2-D6	C359	2:C6	3-D2	#L311	1:E6	3-H7	R216	1:B4	2-G8
C205	2:C3	2-E6	C360	1:C7	3-E4	#L312	2:E7	3-J6	R217	2:B3	2-G9
C206	2:C5	2-F6	C361	2:B7	3-F4	#L315	1:E7	3-M6	R217A	2:C3	2-G8
C209	2:D4	2-E7	C362	2:D7	3-F4				R218	2:C4	2-G9
C210	2:C4	2-D8	C363	2:D6	3-F3	*M100	1:C2	1-C7	R219	2:B5	2-F9
C211	2:C4	2-F7	C364	2:D7	3-G4	MX301	1:E5	3-G6	R220	2:C4	2-H9
C212	2:C5	2-F8	C367	1:D6	3-G2				R221	1:C4	2-H7
C213	2:C3	2-F8	C368	1:C7	3-G2	PL201	1:B4	2-E1	R222	1:C4	2-J9
C214	2:C3	2-G8	#C369	1:D7	3-H3				R223	1:C4	2-J7
C215	2:B3	2-H9	#C370	1:C6	3-J3	Q101	1:D3	1-D2	*R224	1:D4	2-J5
C216	2:C4	2-H9	C371	2:D6	3-K4	Q102	2:D2	1-E2	R228	2:D4	2-L9
C217	1:C4	2-H7	C372	2:E6	3-K3	Q201	2:D4	2-E7	R229	1:D4	2-K7
C218	1:D3	2-H6	#C373	2:E5	3-K3	Q203	1:C4	2-L2	R230	1:D4	2-L7
C219	1:D4	2-J6	C373	2:E5	3-L4	Q205	1:C4	2-L2	R235	1:C3	2-B2
C220	1:D4	2-J6	C374	2:D5	3-L2	Q301	2:C5	3-C6	R240	1:B4	2-K2
C221	1:C4	2-J7	C375	1:C6	3-L2	Q303	1:D6	3-L8	R241	1:C4	2-L2
C222	2:D5	2-L8	C380	2:D7	3-H1	Q304	1:E6	3-L7	R242	1:C5	2-L1
C223	1:D4	2-L7	C381	2:D7	3-J2	Q306	2:B6	3-E2	R245	1:C4	2-B3
C224	1:D4	2-L7	C383	2:E4	3-J1	Q307	2:E6	3-K3	*R301	1:C5	3-C8
C226	1:D4	2-J6	CD301	1:D7	3-H4				R302	2:C6	3-C7
C227	1:C4	2-H8	#CF301	1:B7	3-F2	*R101	1:D3	1-A6	R303	2:C5	3-C7
C229	1:E3	2-B3				*R102	1:E3	1-B7	R304	1:B6	3-B7
C230	1:C3	2-B2	D102	2:B2	1-E9	*R103	1:D3	1-B6	R305	1:B6	3-C7
C231	1:B3	2-D2	D103	1:A4	1-G7	R106	2:C3	1-C4	R306	2:C5	3-C6
C232	2:E5	2-D2	D104	2:A4	1-H5	R107	2:D2	1-C6	R307	2:C5	3-C6

<u>Device</u>	<u>PCB</u>	<u>Circuit</u>	<u>Device</u>	<u>PCB</u>	<u>Circuit</u>	<u>Device</u>	<u>PCB</u>	<u>Circuit</u>	<u>Device</u>	<u>PCB</u>	<u>Circuit</u>
R308	1:C6	3-E8									
R309	1:C6	3-E6									
R310	1:D6	3-F6									
R311	1:D6	3-G6									
R312	1:E5	3-G7									
R317	1:D7	3-L9									
R318	1:D7	3-L8									
R319	1:D6	3-J8									
R320	1:D6	3-K7									
R322	1:D6	3-K7									
#R323	1:E7	3-L7									
R324	1:D7	3-L7									
R325	1:E7	3-K6									
#R328	2:D7	3-B2									
#R329	2:C7	3-B2									
#R330	2:C7	3-C2									
R332	2:C6	3-D2									
R333	2:C6	3-D2									
R334	2:B6	3-D3									
R335	2:B7	3-E3									
R337	2:B6	3-E3									
R338	2:D7	3-D4									
R339	2:D6	3-F3									
R340	2:D7	3-G4									
#R341	2:D7	3-G4									
R344	2:D7	3-G4									
R345	2:D7	3-G3									
R346	1:C7	3-G2									
R347	1:C7	3-G2									
R348	1:D7	3-H3									
R349	1:C7	3-H2									
R350	1:D6	3-J2									
R354	2:E5	3-J3									
R356	2:E6	3-J4									
R357	2:E6	3-K4									
R358	2:E6	3-K3									
R359	2:E6	3-K3									
R360	2:E6	3-K3									
#R361	1:C6	3-L3									
R362	1:C6	3-L3									
R363	2:E5	3-L3									
R368	2:D7	3-H2									
#R369	2:D7	3-J2									
#R370	2:E7	3-J2									
#R371	2:D7	3-K1									
#R380	2:E5	3-L4									
#R381	2:E5	3-L4									
#R382	2:E5	3-L4									
RS1	2:C7	6-F3									
RS2	2:B7	6-E3									
RSPEC	2:B7	6-E3									
RT1	2:B6	6-F5									
RT2	2:B6	6-E5									
RTYP	2:B6	6-E5									
SK202	1:E4	2-H1									
SK-FLEXI	1:E4	5-J1									
#XF301	1:E7	3-J7									
#XF302	1:D7	3-A2									
XL201	1:D4	2-D7									
XL301	1:C7	3-C2									

8

7

6

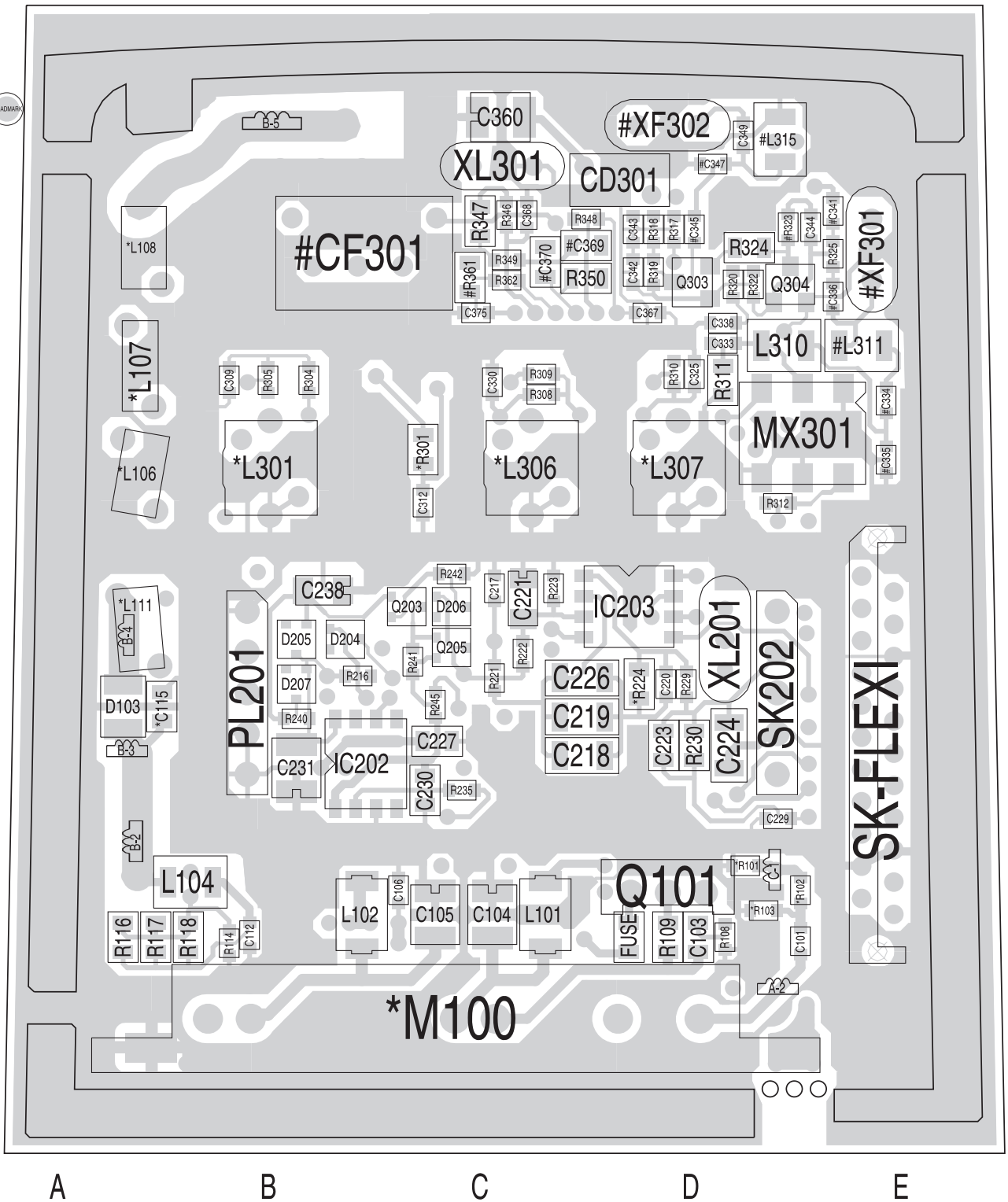
5

4

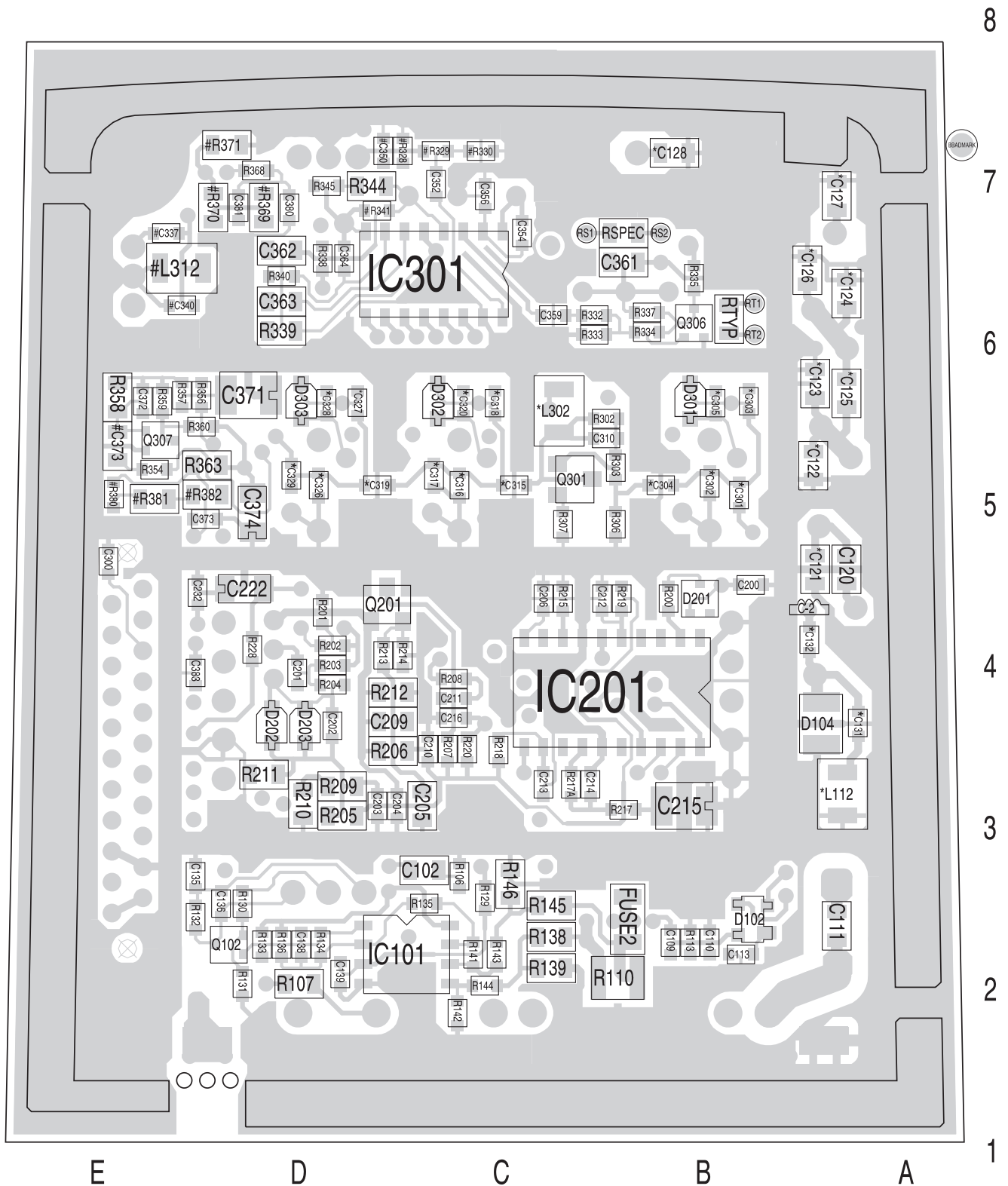
3

2

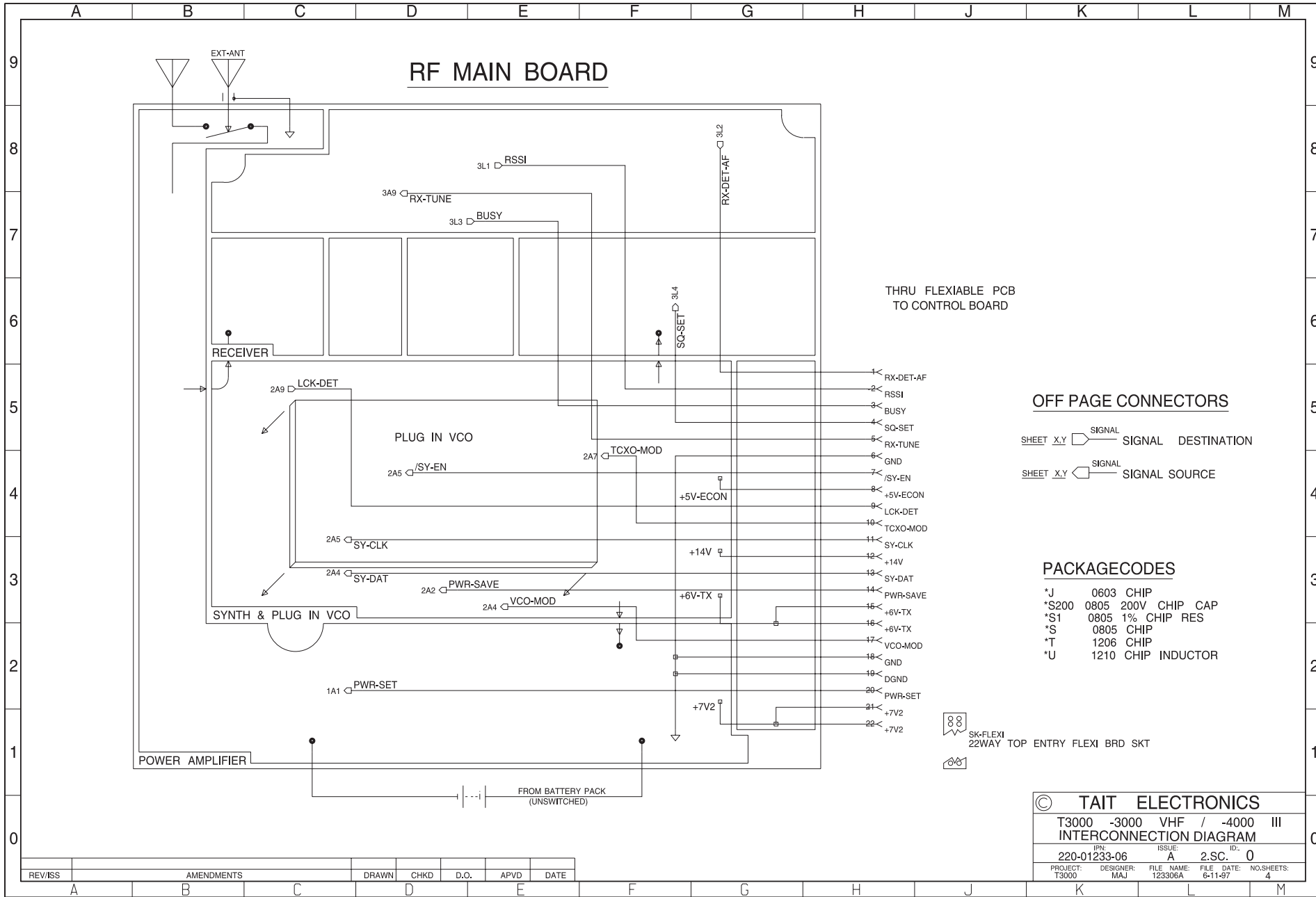
1

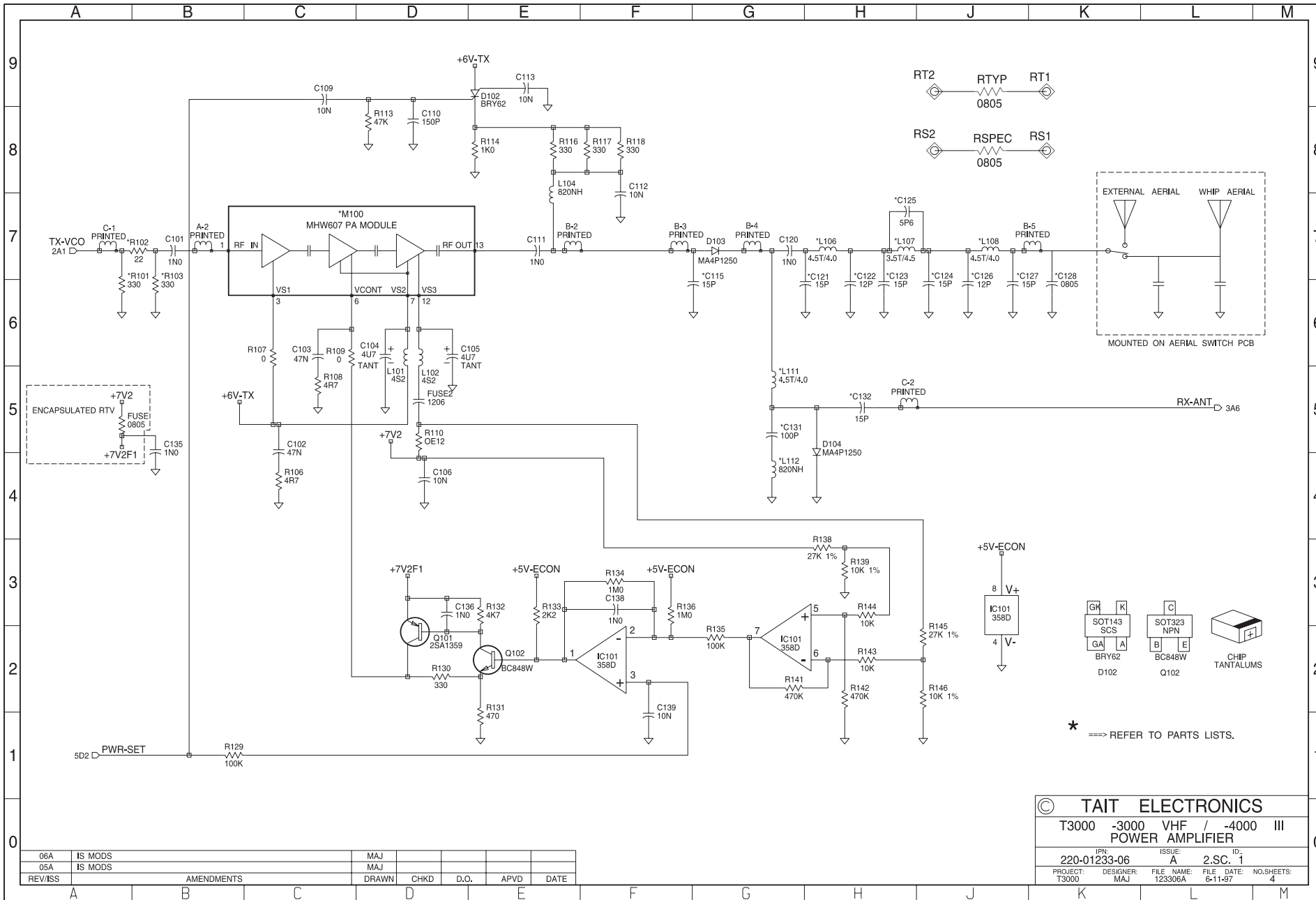


T3000-3000/-4000 RF PCB (IPN 220-01233-06) - Top Side



T3000-3000/-4000 RF PCB (IPN 220-01233-06) - Bottom Side





* ==> REFER TO PARTS LISTS.

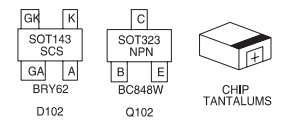
© TAIT ELECTRONICS

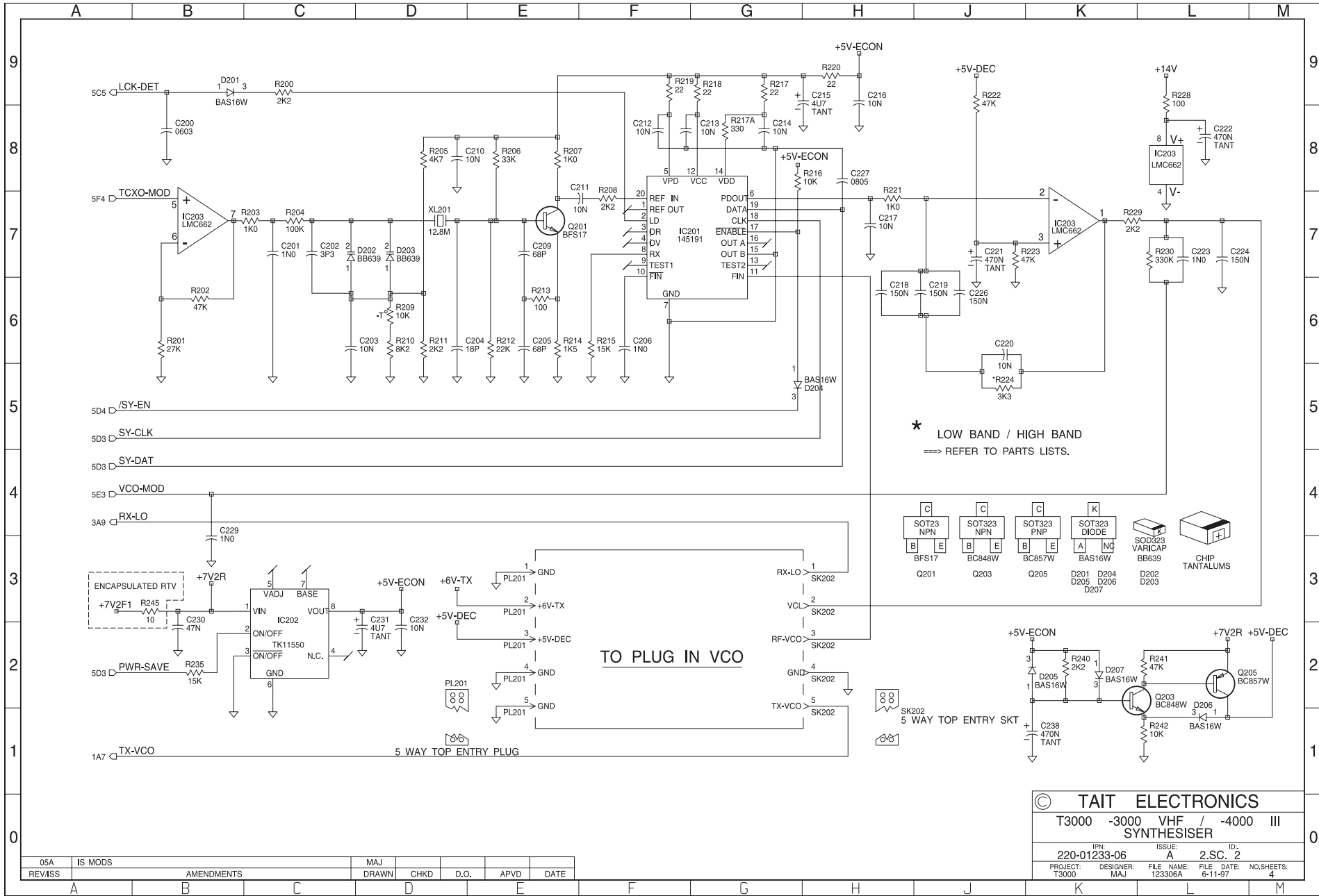
T3000 -3000 VHF / -4000 III
POWER AMPLIFIER

ISSUE: A ID: 2.S.C. 1

PROJECT: T3000 DESIGNER: MAJ FILE NAME: 123306A FILE DATE: 6-11-97 NO. SHEETS: 4

06A	IS MODS	MAJ				
05A	IS MODS	MAJ				
REV/ISS	AMENDMENTS	DRAWN	CHKD	D.O.	APVD	DATE





© TAIT ELECTRONICS

T3000 -3000 VHF / -4000 III
SYNTHESISER

IPN: 220-01233-06 ISSUE: A ID: 2.SC. 2

PROJECT: T3000 DESIGNER: MAJ FILE NAME: 123306A FILE DATE: 6-11-97 NO.SHEETS: 4

05A	IS MODS	AMENDMENTS	MAJ	CHKD	D.O.	APVD	DATE
REVISS			DRAWN				

8.2.2 T3000-5000/-7000 IS RF PCB

T3000-5000/-7000 Parts List (IPN 220-01235-09)

Parts List Amendments

Ref	Var	IPN	Description	Ref	Var	IPN	Description
C101		018-13150-00	CAP 0603 CHIP 150P 50V NPO +5%	C210		018-15100-00	CAP 0603 CHIP 10N 50V X7R +-10%
C102		015-25470-08	CAP CER 0805 CHIP 47N 10% X7R 50V	C211		018-15100-00	CAP 0603 CHIP 10N 50V X7R +-10%
C103		015-25470-08	CAP CER 0805 CHIP 47N 10% X7R 50V	C212		018-15100-00	CAP 0603 CHIP 10N 50V X7R +-10%
C104		014-07470-01	CAP TANT CHIP 4U7 'B' CASE 25V +-10% 267 SE	C213		018-15100-00	CAP 0603 CHIP 10N 50V X7R +-10%
C105		014-07470-01	CAP TANT CHIP 4U7 'B' CASE 25V +-10% 267 SE	C214		018-15100-00	CAP 0603 CHIP 10N 50V X7R +-10%
C106		018-15100-00	CAP 0603 CHIP 10N 50V X7R +-10%	C215		014-07470-01	CAP TANT CHIP 4U7 'B' CASE 25V +-10% 267 SE
C107		018-15100-00	CAP 0603 CHIP 10N 50V X7R +-10%	C216		018-15100-00	CAP 0603 CHIP 10N 50V X7R +-10%
C109		018-15100-00	CAP 0603 CHIP 10N 50V X7R +-10%	C217		018-15100-00	CAP 0603 CHIP 10N 50V X7R +-10%
C110		018-13150-00	CAP 0603 CHIP 150P 50V NPO +-5%	C218		015-06100-08	CAP CER 1206 CHIP 100N 10% X7R 50V
C111		015-23150-01	CAP CER 0805 CHIP 150P 5% NPO 50V	C219		015-06100-08	CAP CER 1206 CHIP 100N 10% X7R 50V
C112		018-15100-00	CAP 0603 CHIP 10N 50V X7R +-10%	C220		018-15100-00	CAP 0603 CHIP 10N 50V X7R +-10%
C113		018-15100-00	CAP 0603 CHIP 10N 50V X7R +-10%	C221		014-06470-00	CAP TANT CHIP 470N 25V +-20% 6X3.2X2.5MM (S
*C115	51XX	015-21270-20	CAP CER 0805 CHIP 2P7 +-0P25 200V NPO	C222		014-06470-00	CAP TANT CHIP 470N 25V +-20% 6X3.2X2.5MM (S
*C115	52XX	015-21270-05	CAP CER 0805 CHIP 2P7+-0.1PFD 200V GRM	C223		015-23470-08	CAP CER 0805 CHIP 470P 10% X7R 50V
*C115	53XX	015-21270-05	CAP CER 0805 CHIP 2P7+-0.1PFD 200V GRM	C224		015-06100-08	CAP CER 1206 CHIP 100N 10% X7R 50V
*C115	71XX	015-21100-02	(L) CAP CER 0805 CHIP 1P0 1% NPO 50V	C229		018-14100-00	CAP 0603 CHIP 1N 50V X7R +-10%
C120		015-23150-01	CAP CER 0805 CHIP 150P 5% NPO 50V	C230		015-25470-08	CAP CER 0805 CHIP 47N 10% X7R 50V
*C121	51XX	015-21680-20	CAP CER 0805 CHIP 6P8 +-0P25 200V NPO	C231		014-07470-01	CAP TANT CHIP 4U7 'B' CASE 25V +-10% 267 SE
*C121	52XX	015-21680-20	CAP CER 0805 CHIP 6P8 +-0P25 200V NPO	C232		018-15100-00	CAP 0603 CHIP 10N 50V X7R +-10%
*C121	53XX	015-21470-05	CAP CER 0805 CHIP 4P7+-0.1PFD 200V GRM	C235		018-13150-00	CAP 0603 CHIP 150P 50V NPO +-5%
*C121	71XX	015-21820-02	(L) CAP CER 0805 CHIP 8P2 1% NPO 50V	C238		014-06470-00	CAP TANT CHIP 470N 25V +-20% 6X3.2X2.5MM (S
*C122	51XX	015-21270-20	CAP CER 0805 CHIP 2P7 +-0P25 200V NPO	C300		018-15100-00	CAP 0603 CHIP 10N 50V X7R +-10%
*C122	52XX	015-21330-05	CAP CER 0805 CHIP 3P3+-0.1PFD 200V GRM	CD301		276-00010-63	DISCRIMINATOR CER 455KHZ CDB455C16
*C122	53XX	015-21390-20	CAP CER 0805 CHIP 3P9 +-0P25 200V NPO	#CF301	XX0X	276-00010-67	FLTR CER 455KHZ 8KHZ B/W CFV455G
*C122	71XX	015-22120-01	CAP CER 0805 CHIP 12P 5% NPO 50V	#CF301	XX1X	276-00010-66	FLTR CER 455KHZ 20KHZ B/W CFV455D
*C123	51XX	015-21680-20	CAP CER 0805 CHIP 6P8 +-0P25 200V NPO	#CF301	XX2X	276-00010-67	FLTR CER 455KHZ 8KHZ B/W CFV455G
*C123	52XX	015-21680-20	CAP CER 0805 CHIP 6P8 +-0P25 200V NPO	*C301	51XX	018-11680-10	CAP 0603 CHIP 6P8 50V NPO +-0.1P
*C123	53XX	015-21560-20	CAP CER 0805 CHIP 5P6 +-0P25 200V NPO	*C301	52XX	018-11680-10	CAP 0603 CHIP 6P8 50V NPO +-0.1P
*C123	71XX	015-21390-01	CAP CER 0805 CHIP 3P9 +/-0.25P NPO 50V	*C301	53XX	018-11680-10	CAP 0603 CHIP 6P8 50V NPO +-0.1P
*C124	51XX	015-21680-20	CAP CER 0805 CHIP 6P8 +-0P25 200V NPO	*C301	71XX	018-12100-10	CAP 0603 CHIP 10P 50V NPO +-0.1P
*C124	52XX	015-21680-20	CAP CER 0805 CHIP 6P8 +-0P25 200V NPO	*C302	51XX	018-11680-10	CAP 0603 CHIP 6P8 50V NPO +-0.1P
*C124	53XX	015-21680-20	CAP CER 0805 CHIP 6P8 +-0P25 200V NPO	*C302	52XX	018-11680-10	CAP 0603 CHIP 6P8 50V NPO +-0.1P
*C124	71XX	015-21390-01	CAP CER 0805 CHIP 3P9 +/-0.25P NPO 50V	*C302	53XX	018-11470-10	CAP 0603 CHIP 10P 50V NPO +-0.1P
*C125	51XX	015-21120-20	CAP CER 0805 CHIP 1P2 +-0P25 200V NPO	*C302	71XX	018-12120-10	CAP 0603 CHIP 12P 50V NPO +-1%
*C125	52XX	015-21120-20	CAP CER 0805 CHIP 1P2 +-0P25 200V NPO	*C303	51XX	018-12270-10	CAP 0603 CHIP 27P 50V NPO +-1%
*C125	71XX	015-21150-01	CAP CER 0805 CHIP 1P5 +/-0.25P NPO 50V	*C303	52XX	018-12180-10	CAP 0603 CHIP 18P 50V NPO +-1%
*C126	51XX	015-21330-05	CAP CER 0805 CHIP 3P3+-0.1PFD 200V GRM	*C303	53XX	018-12120-10	CAP 0603 CHIP 12P 50V NPO +-1%
*C126	52XX	015-21470-05	CAP CER 0805 CHIP 4P7+-0.1PFD 200V GRM	*C303	71XX	018-12470-10	CAP 0603 CHIP 47P 50V NPO +-1%
*C126	53XX	015-21390-20	CAP CER 0805 CHIP 3P9 +-0P25 200V NPO	*C304	51XX	018-11680-10	CAP 0603 CHIP 6P8 50V NPO +-0.1P
*C126	71XX	015-21470-02	(L) CAP CER 0805 CHIP 4P7 1% NPO 50V	*C304	52XX	018-11680-10	CAP 0603 CHIP 6P8 50V NPO +-0.1P
*C127	51XX	015-21680-20	CAP CER 0805 CHIP 6P8 +-0P25 200V NPO	*C304	53XX	018-11680-10	CAP 0603 CHIP 6P8 50V NPO +-0.1P
*C127	52XX	015-21680-20	CAP CER 0805 CHIP 6P8 +-0P25 200V NPO	*C304	71XX	018-12100-10	CAP 0603 CHIP 10P 50V NPO +-0.1P
*C127	53XX	015-21560-05	CAP CER 0805 CHIP 5P6+-0.1PFD 200V GRM	*C305	51XX	018-11390-10	CAP 0603 CHIP 3P9 50V NPO +-0.1P
*C127	71XX	015-22120-01	CAP CER 0805 CHIP 12P 5% NPO 50V	*C305	52XX	018-11560-10	CAP 0603 CHIP 5P6 50V NPO +-0.1P
*C131	51XX	018-11820-10	CAP 0603 CHIP 8P2 50V NPO +-0.1P	*C305	53XX	018-11470-10	CAP 0603 CHIP 4P7 50V NPO +-0.1P
*C131	52XX	018-12100-10	CAP 0603 CHIP 10P 50V NPO +-0.1P	*C305	71XX	018-11680-10	CAP 0603 CHIP 6P8 50V NPO +-0.1P
*C131	53XX	018-12100-10	CAP 0603 CHIP 10P 50V NPO +-0.1P	C309		018-15100-00	CAP 0603 CHIP 10N 50V X7R +-10%
*C131	71XX	018-11680-10	CAP 0603 CHIP 6P8 50V NPO +-0.1P	C310		018-13150-00	CAP 0603 CHIP 150P 50V NPO +-5%
*C132	51XX	018-11560-10	CAP 0603 CHIP 5P6 50V NPO +-0.1P	C312		018-15100-00	CAP 0603 CHIP 10N 50V X7R +-10%
*C132	52XX	018-11680-10	CAP 0603 CHIP 6P8 50V NPO +-0.1P	*C315	51XX	018-12150-10	CAP 0603 CHIP 15P 50V NPO +-1%
*C132	53XX	018-11470-10	CAP 0603 CHIP 4P7 50V NPO +-0.1P	*C315	52XX	018-12150-10	CAP 0603 CHIP 15P 50V NPO +-1%
*C132	71XX	018-12100-10	CAP 0603 CHIP 10P 50V NPO +-0.1P	*C315	53XX	018-12120-10	CAP 0603 CHIP 12P 50V NPO +-1%
C135		018-13150-00	CAP 0603 CHIP 150P 50V NPO +-5%	*C315	71XX	018-12220-10	CAP 0603 CHIP 22P 50V NPO +-1%
C136		018-14100-00	CAP 0603 CHIP 1N 50V X7R +-10%	*C316	51XX	018-11820-10	CAP 0603 CHIP 8P2 50V NPO +-0.1P
C138		018-15100-00	CAP 0603 CHIP 10N 50V X7R +-10%	*C316	52XX	018-11680-10	CAP 0603 CHIP 6P8 50V NPO +-0.1P
C139		015-24470-08	CAP CER 0805 CHIP 4N7 10% X7R 50V	*C316	53XX	018-11560-10	CAP 0603 CHIP 5P6 50V NPO +-0.1P
C201		018-14100-00	CAP 0603 CHIP 1N 50V X7R +-10%	*C316	71XX	018-12120-10	CAP 0603 CHIP 12P 50V NPO +-1%
C202		018-11330-10	CAP 0603 CHIP 3P3 50V NPO +-0.1P	*C317	51XX	018-11220-10	CAP 0603 CHIP 2P2 50V NPO +-0.1P
C203		018-15100-00	CAP 0603 CHIP 10N 50V X7R +-10%	*C317	52XX	018-11220-10	CAP 0603 CHIP 2P2 50V NPO +-0.1P
C204		018-12180-10	CAP 0603 CHIP 18P 50V NPO +-1%	*C317	53XX	018-11100-10	CAP 0603 CHIP 1P0 50V NPO +-0.1P
C205		015-22680-01	CAP CER 0805 CHIP 68P 5% NPO 50V	*C317	71XX	018-11270-00	CAP 0603 CHIP 2P7 50V NPO +-0.25P
C206		018-14100-00	CAP 0603 CHIP 1N 50V X7R +-10%	*C318	51XX	018-12330-10	CAP 0603 CHIP 33P 50V NPO +-1%
C207		018-11680-10	CAP 0603 CHIP 6P8 50V NPO +-0.1P	*C318	52XX	018-12180-10	CAP 0603 CHIP 18P 50V NPO +-1%
C209		015-22680-01	CAP CER 0805 CHIP 68P 5% NPO 50V	*C318	53XX	018-12150-10	CAP 0603 CHIP 15P 50V NPO +-1%

Ref	Var	IPN	Description	Ref	Var	IPN	Description
*C318	71XX	018-12560-10	CAP 0603 CHIP 56P 50V NPO +1%	D102		001-10006-20	(S) DIODE SMD BRY62 TRIGGER SOT143
*C319	51XX	018-11220-10	CAP 0603 CHIP 2P2 50V NPO +0.1P	D103		001-10012-50	(S) DIODE SMD MA4P1250 PIN 3 X 2MM
*C319	52XX	018-11220-10	CAP 0603 CHIP 2P2 50V NPO +0.1P	D104		001-10012-50	(S) DIODE SMD MA4P1250 PIN 3 X 2MM
*C319	53XX	018-11180-10	CAP 0603 CHIP 1P8 50V NPO +0.1P	D201		001-10001-61	(S) DIODE SMD BAS16W HIGH SPEED GEN PURP
*C319	71XX	018-11220-10	CAP 0603 CHIP 2P2 50V NPO +0.1P	D202		001-10006-39	(S) DIODE SMD VARICAP BB639 SOD323
*C320	51XX	018-11220-10	CAP 0603 CHIP 2P2 50V NPO +0.1P	D203		001-10006-39	(S) DIODE SMD VARICAP BB639 SOD323
*C320	52XX	018-11470-10	CAP 0603 CHIP 4P7 50V NPO +0.1P	D204		001-10001-61	(S) DIODE SMD BAS16W HIGH SPEED GEN PURP
*C320	71XX	018-11390-10	CAP 0603 CHIP 3P9 50V NPO +0.1P	D205		001-10001-61	(S) DIODE SMD BAS16W HIGH SPEED GEN PURP
C325		018-15100-00	CAP 0603 CHIP 10N 50V X7R +10%	D206		001-10001-61	(S) DIODE SMD BAS16W HIGH SPEED GEN PURP
*C326	51XX	018-11820-10	CAP 0603 CHIP 8P2 50V NPO +0.1P	D207		001-10001-61	(S) DIODE SMD BAS16W HIGH SPEED GEN PURP
*C326	52XX	018-11680-10	CAP 0603 CHIP 6P8 50V NPO +0.1P	D301		001-10005-35	(S) DIODE SMD VARICAP BB535 SOD323
*C326	53XX	018-11560-10	CAP 0603 CHIP 5P6 50V NPO +0.1P	D302		001-10005-35	(S) DIODE SMD VARICAP BB535 SOD323
*C326	71XX	018-12120-10	CAP 0603 CHIP 12P 50V NPO +1%	D303		001-10005-35	(S) DIODE SMD VARICAP BB535 SOD323
*C327	51XX	018-12330-10	CAP 0603 CHIP 33P 50V NPO +1%	F100		265-10050-00	FUSE SMD 500MA 63V 0805 CER CHIP
*C327	52XX	018-12180-10	CAP 0603 CHIP 18P 50V NPO +1%	F200		265-10300-10	FUSE SMD 1206 3A 63V
*C327	53XX	018-12150-10	CAP 0603 CHIP 15P 50V NPO +1%	IC101		002-10003-58	(S) IC SMD LM358 DUAL OP AMP
*C327	71XX	018-12560-10	CAP 0603 CHIP 56P 50V NPO +1%	IC201		002-14519-10	(S) IC MC145191F SMD SYNTHESIZER
*C328	51XX	018-11220-10	CAP 0603 CHIP 2P2 50V NPO +0.1P	IC202		002-11155-00	(S) IC TK11550M SMD SWITCHABLE 5V REG SO-8
*C328	52XX	018-11470-10	CAP 0603 CHIP 4P7 50V NPO +0.1P	IC203		002-10227-20	(S) IC SMD TLC2272CD OP-AMP
*C328	71XX	018-11390-10	CAP 0603 CHIP 3P9 50V NPO +0.1P	IC301		002-10337-20	(S) IC MC3372D SMD FM IF DETECTOR
*C329	51XX	018-11470-10	CAP 0603 CHIP 4P7 50V NPO +0.1P	L101		065-10004-20	BEAD FE SMD CBD 4.6/3-3-4S2
*C329	52XX	018-11470-10	CAP 0603 CHIP 4P7 50V NPO +0.1P	L102		065-10004-20	BEAD FE SMD CBD 4.6/3-3-4S2
*C329	53XX	018-11390-10	CAP 0603 CHIP 3P9 50V NPO +0.1P	L103		065-10004-20	BEAD FE SMD CBD 4.6/3-3-4S2
*C329	71XX	018-11470-10	CAP 0603 CHIP 4P7 50V NPO +0.1P	L104		056-10330-00	IND FXD SMD 330NH 3.2*2.5*1.6 SIEMENS SMIDO
C330		018-15100-00	CAP 0603 CHIP 10N 50V X7R +10%	*L106	51XX	052-56130-25	COIL A/W 2.5T/3.0MM HOR 0.56MM WIRE
C331		018-15100-00	CAP 0603 CHIP 10N 50V X7R +10%	*L106	52XX	052-56145-15	COIL A/W 1.5T/4.5MM HOR 0.56MM WIRE
C332		018-15100-00	CAP 0603 CHIP 10N 50V X7R +10%	*L106	53XX	052-56140-15	COIL A/W 1.5T/4.0MM HOR 0.56MM WIRE
C333		018-12120-10	CAP 0603 CHIP 12P 50V NPO +1%	*L106	71XX	052-56135-15	COIL A/W 1.5T/3.5MM HOR 0.56MM WIRE
C334		018-12390-10	CAP 0603 CHIP 39P 50V NPO +1%	*L107	51XX	052-56130-25	COIL A/W 2.5T/3.0MM HOR 0.56MM WIRE
#C336	XX0X	018-11150-10	CAP 0603 CHIP 1P5 50V NPO +0.1P	*L107	52XX	052-56125-25	COIL A/W 2.5T/2.5MM HOR 0.56MM WIRE
#C336	XX1X	018-11150-10	CAP 0603 CHIP 1P5 50V NPO +0.1P	*L107	53XX	052-56140-15	COIL A/W 1.5T/4.0MM HOR 0.56MM WIRE
#C336	XX2X	018-11150-10	CAP 0603 CHIP 1P5 50V NPO +0.1P	*L107	71XX	052-56125-15	COIL A/W 1.5T/2.5MM HOR 0.56MM WIRE
#C337	XX0X	018-12180-10	CAP 0603 CHIP 18P 50V NPO +1%	*L108	51XX	052-56130-25	COIL A/W 2.5T/3.0MM HOR 0.56MM WIRE
#C337	XX1X	018-15100-00	CAP 0603 CHIP 10N 50V X7R +10%	*L108	52XX	052-56145-15	COIL A/W 1.5T/4.5MM HOR 0.56MM WIRE
#C337	XX2X	018-11820-10	CAP 0603 CHIP 8P2 50V NPO +0.1P	*L108	53XX	052-56145-15	COIL A/W 1.5T/4.5MM HOR 0.56MM WIRE
C338		018-12470-10	CAP 0603 CHIP 47P 50V NPO +1%	*L108	71XX	052-56135-15	COIL A/W 1.5T/3.5MM HOR 0.56MM WIRE
#C340	XX0X	018-11100-10	CAP 0603 CHIP 1P0 50V NPO +0.1P	*L111	51XX	052-56135-25	COIL A/W 2.5T/3.5MM HOR 0.56MM WIRE
#C340	XX1X	018-11100-10	CAP 0603 CHIP 1P0 50V NPO +0.1P	*L111	52XX	052-56145-15	COIL A/W 1.5T/4.5MM HOR 0.56MM WIRE
#C340	XX2X	018-11100-10	CAP 0603 CHIP 1P0 50V NPO +0.1P	*L111	53XX	052-56130-25	COIL A/W 2.5T/3.0MM HOR 0.56MM WIRE
C341		018-15100-00	CAP 0603 CHIP 10N 50V X7R +10%	*L112	51XX	056-10068-02	(L) IND SMD 68NH SIEMENS SMID02
C342		018-15100-00	CAP 0603 CHIP 10N 50V X7R +10%	*L112	52XX	056-10047-00	IND FXD SMD 47NH 3.2*2.5*1.6 SIEMENS S
C343		018-15100-00	CAP 0603 CHIP 10N 50V X7R +10%	*L112	53XX	056-10047-00	IND FXD SMD 47NH 3.2*2.5*1.6 SIEMENS S
C344		018-15100-00	CAP 0603 CHIP 10N 50V X7R +10%	*L112	71XX	056-10100-00	IND FXD SMD 100NH 3.2*2.5*1.6 SIEMENS
C345		018-15100-00	CAP 0603 CHIP 10N 50V X7R +10%	*L301	51XX	050-00016-70	COIL RF 14NH NOM 1.5T CORELESS SHIELD
C346		018-13100-10	CAP 0603 CHIP 100P 50V NPO +1%	*L301	52XX	050-00016-70	COIL RF 14NH NOM 1.5T CORELESS SHIELD
#C347	XX0X	018-11330-10	CAP 0603 CHIP 3P3 50V NPO +0.1P	*L301	53XX	050-00016-70	COIL RF 14NH NOM 1.5T CORELESS SHIELD
#C347	XX2X	018-11330-10	CAP 0603 CHIP 3P3 50V NPO +0.1P	*L301	71XX	050-00016-70	COIL RF 14NH NOM 1.5T CORELESS SHIELD
#C349	XX0X	018-12100-10	CAP 0603 CHIP 10P 50V NPO +0.1P	*L302	51XX	056-10100-02	(L) IND SMD 100NH SIEMENS SMID02
#C349	XX1X	018-15100-00	CAP 0603 CHIP 10N 50V X7R +10%	*L302	52XX	056-10082-00	IND FXD SMD 82NH 3.2*2.5*1.6 SIEMENS S
#C349	XX2X	018-12120-10	CAP 0603 CHIP 12P 50V NPO +1%	*L302	53XX	056-10068-02	(L) IND SMD 68NH SIEMENS SMID02
#C350	XX0X	018-11330-10	CAP 0603 CHIP 3P3 50V NPO +0.1P	*L302	71XX	056-10100-00	IND FXD SMD 100NH 3.2*2.5*1.6 SIEMENS
#C350	XX1X	018-11680-10	CAP 0603 CHIP 6P8 50V NPO +0.1P	*L306	51XX	050-00016-70	COIL RF 14NH NOM 1.5T CORELESS SHIELD
#C350	XX2X	018-11150-10	CAP 0603 CHIP 1P5 50V NPO +0.1P	*L306	52XX	050-00016-70	COIL RF 14NH NOM 1.5T CORELESS SHIELD
#C351	XX0X	018-11270-10	CAP 0603 CHIP 2P7 50V NPO +0.1P	*L306	53XX	050-00016-70	COIL RF 14NH NOM 1.5T CORELESS SHIELD
#C351	XX2X	018-11270-10	CAP 0603 CHIP 2P7 50V NPO +0.1P	*L306	71XX	050-00016-70	COIL RF 14NH NOM 1.5T CORELESS SHIELD
#C352	XX0X	018-11150-10	CAP 0603 CHIP 1P5 50V NPO +0.1P	*L307	51XX	050-00016-70	COIL RF 14NH NOM 1.5T CORELESS SHIELD
#C352	XX2X	018-11270-10	CAP 0603 CHIP 2P7 50V NPO +0.1P	*L307	52XX	050-00016-70	COIL RF 14NH NOM 1.5T CORELESS SHIELD
C353		018-15100-00	CAP 0603 CHIP 10N 50V X7R +10%	*L307	53XX	050-00016-70	COIL RF 14NH NOM 1.5T CORELESS SHIELD
C354		018-12180-10	CAP 0603 CHIP 18P 50V NPO +1%	*L307	71XX	050-00016-70	COIL RF 14NH NOM 1.5T CORELESS SHIELD
C356		018-12150-10	CAP 0603 CHIP 15P 50V NPO +1%	L311		056-10330-02	(L) IND SMD 330NH SIEMENS SMID02
C358		018-15100-00	CAP 0603 CHIP 10N 50V X7R +10%	#L312	XX0X	056-10820-00	IND FXD SMD 820NH 3.2*2.5*1.6 SIEMENS
C359		018-15100-00	CAP 0603 CHIP 10N 50V X7R +10%	#L312	XX1X	056-14330-02	(L) IND SMD 3.3UH SIEMENS SMID02
C360		014-07470-01	CAP TANT CHIP 4U7 'B' CASE 25V +10% 267 SE	#L312	XX2X	056-10820-02	(L) IND SMD 820NH SIEMENS SMID02
C361		015-25470-08	CAP CER 0805 CHIP 47N 10% X7R 50V	#L315	XX0X	056-10820-00	IND FXD SMD 820NH 3.2*2.5*1.6 SIEMENS
C362		015-25470-08	CAP CER 0805 CHIP 47N 10% X7R 50V	#L315	XX2X	056-10820-02	(L) IND SMD 820NH SIEMENS SMID02
C363		015-25470-08	CAP CER 0805 CHIP 47N 10% X7R 50V	#L319	XX0X	056-14150-02	(L) IND SMD 1.5UH SIEMENS SMID02
C364		018-12270-10	CAP 0603 CHIP 27P 50V NPO +1%	#L319	XX2X	056-14150-02	(L) IND SMD 1.5UH SIEMENS SMID02
C367		018-15100-00	CAP 0603 CHIP 10N 50V X7R +10%	L320		056-10820-02	(L) IND SMD 820NH SIEMENS SMID02
C368		018-15100-00	CAP 0603 CHIP 10N 50V X7R +10%	*M100	51XX	004-00070-71	MODULE RF PWR MHW707-1 404-440MHZ 7W 7
#C369	XX0X	015-23120-01	CAP CER 0805 CHIP 120P 5% NPO 50V	*M100	52XX	004-00070-72	MODULE RF PWR MHW707-2 440-470MHZ 7W 7
#C369	XX1X	015-23120-01	CAP CER 0805 CHIP 120P 5% NPO 50V	*MX301	51XX	002-10000-11	(S) IC SMD SMD-K1 DOUBLE BALANCED MIX
#C369	XX2X	015-23150-01	CAP CER 0805 CHIP 150P 5% NPO 50V	*MX301	52XX	002-10000-11	(S) IC SMD SMD-K1 DOUBLE BALANCED MIX
#C370	XX0X	015-23120-01	CAP CER 0805 CHIP 120P 5% NPO 50V	*MX301	53XX	002-10000-11	(S) IC SMD SMD-K1 DOUBLE BALANCED MIX
#C370	XX1X	015-23120-01	CAP CER 0805 CHIP 120P 5% NPO 50V	*MX301	71XX	002-10000-11	(S) IC SMD SMD-K1 DOUBLE BALANCED MIX
#C370	XX2X	015-23150-01	CAP CER 0805 CHIP 150P 5% NPO 50V	PL201		240-00026-27	CONN 5WAY MALE INTERCONNECT STRIP PCB
C371		014-07470-01	CAP TANT CHIP 4U7 'B' CASE 25V +10% 267 SE	Q101		000-02135-90	(S) XSTR 2SA1359-Y NPN AF PWR TO126
C372		018-12330-10	CAP 0603 CHIP 33P 50V NPO +1%	Q102		000-10084-81	(S) XSTR SMD BC848BW NPN SOT-323 SMALL SI
C373		018-15100-00	CAP 0603 CHIP 10N 50V X7R +10%	Q201		000-10008-92	(S) XSTR SMD BFS17 NPN SOT-23 UHF SMALL SI
#C373	XX0X	015-23330-08	CAP CER 0805 CHIP 330P 10% X7R 50V	Q203		000-10084-81	(S) XSTR SMD BC848BW NPN SOT-323 SMALL SI
#C373	XX1X	015-23180-01	CAP CER 0805 CHIP 180P 5% NPO 50V				
#C373	XX2X	015-23330-08	CAP CER 0805 CHIP 330P 10% X7R 50V				
C374		014-06470-00	CAP TANT CHIP 470N 25V +20% 6X3.2X2.5MM (S)				
C375		018-15100-00	CAP 0603 CHIP 10N 50V X7R +10%				
C380		018-15100-00	CAP 0603 CHIP 10N 50V X7R +10%				
C381		018-15100-00	CAP 0603 CHIP 10N 50V X7R +10%				
C383		018-15100-00	CAP 0603 CHIP 10N 50V X7R +10%				

Ref	Var	IPN	Description	Ref	Var	IPN	Description
Q205		000-10085-71	(S) XSTR SMD BC857BW PNP SOT-323 SMALL SI	R301		036-13560-00	RES M/F 0805 CHIP 560E 5%
Q301		000-10009-41	(S) XSTR SMD MMBR941L RF LOW NOISE SOT23	*R302	51XX	036-14680-00	RES M/F 0805 CHIP 6K8 5%
Q302		000-10008-94	(S) XSTR SMD BFS19 NPN SOT-23 RF SMALL SIG	*R302	52XX	036-14560-00	RES M/F 0805 CHIP 5K6 5%
Q303		000-10008-92	(X) XSTR SMD BFS17 NPN SOT-23 UHF SMALL SI	*R302	53XX	036-14470-00	RES M/F 0805 CHIP 4K7 5%
Q304		000-10009-41	(S) XSTR SMD MMBR941L RF LOW NOISE SOT23	*R302	71XX	036-14680-00	RES M/F 0805 CHIP 6K8 5%
Q306		000-10084-81	(S) XSTR SMD BC848BW NPN SOT-323 SMALL SI	*R303	51XX	038-14150-00	RES 0603 CHIP 1K5 1/16W +5%
Q307		000-10084-81	(S) XSTR SMD BC848BW NPN SOT-323 SMALL SI	*R303	52XX	038-14220-00	RES 0603 CHIP 2K2 1/16W +5%
				*R303	53XX	038-14330-00	RES 0603 CHIP 3K3 1/16W +5%
				*R303	71XX	038-14220-00	RES 0603 CHIP 2K2 1/16W +5%
*R101	51XX	038-13330-00	RES 0603 CHIP 330E 1/16W +5%	R304		038-15100-00	RES 0603 CHIP 10K 1/16W +5%
*R101	52XX	038-13330-00	RES 0603 CHIP 330E 1/16W +5%	R305		038-16100-00	RES 0603 CHIP 100K 1/16W +5%
*R101	53XX	038-13330-00	RES 0603 CHIP 330E 1/16W +5%	R306		038-14470-00	RES 0603 CHIP 4K7 1/16W +5%
*R101	71XX	038-13150-00	RES 0603 CHIP 150E 1/16W +5%	*R307	51XX	038-10000-00	RES 0603 CHIP ZERO OHM 1/16W +5%
*R102	51XX	038-12220-00	RES 0603 CHIP 22E 1/16W +5%	*R307	52XX	038-10000-00	RES 0603 CHIP ZERO OHM 1/16W +5%
*R102	52XX	038-12220-00	RES 0603 CHIP 22E 1/16W +5%	*R307	53XX	038-10000-00	RES 0603 CHIP ZERO OHM 1/16W +5%
*R102	53XX	038-12220-00	RES 0603 CHIP 22E 1/16W +5%	*R307	71XX	038-10000-00	RES 0603 CHIP ZERO OHM 1/16W +5%
*R102	71XX	038-12470-00	RES 0603 CHIP 47E 1/16W +5%	R308		038-15100-00	RES 0603 CHIP 10K 1/16W +5%
*R103	51XX	038-13330-00	RES 0603 CHIP 330E 1/16W +5%	R309		038-16100-00	RES 0603 CHIP 100K 1/16W +5%
*R103	52XX	038-13330-00	RES 0603 CHIP 330E 1/16W +5%	R310		038-16100-00	RES 0603 CHIP 100K 1/16W +5%
*R103	53XX	038-13330-00	RES 0603 CHIP 330E 1/16W +5%	R311		038-12470-00	RES 0603 CHIP 47E 1/16W +5%
*R103	71XX	038-13150-00	RES 0603 CHIP 150E 1/16W +5%	#R312	XX0X	038-12220-00	RES 0603 CHIP 22E 1/16W +5%
R106		038-11470-00	RES 0603 CHIP 4E7 1/16W +5%	#R312	XX1X	038-12470-00	RES 0603 CHIP 47E 1/16W +5%
R107		038-10000-00	RES M/F 0805 CHIP ZERO OHM	#R312	XX2X	038-12220-00	RES 0603 CHIP 22E 1/16W +5%
R108		038-11470-00	RES 0603 CHIP 4E7 1/16W +5%	#R313	XX0X	038-13680-00	RES 0603 CHIP 680E 1/16W +5%
R109		038-10000-00	RES M/F 0805 CHIP ZERO OHM	#R313	XX1X	038-13330-00	RES 0603 CHIP 330E 1/16W +5%
R110		036-00120-04	RES 1210 0E12 0.5W 5%	#R313	XX2X	038-13680-00	RES 0603 CHIP 680E 1/16W +5%
R113		038-15470-00	RES 0603 CHIP 47K 1/16W +5%	R314		038-14470-00	RES 0603 CHIP 4K7 1/16W +5%
R114		038-14100-00	RES 0603 CHIP 1K0 1/16W +5%	#R315	XX0X	038-13220-00	RES 0603 CHIP 220E 1/16W +5%
R116		036-13330-00	RES M/F 0805 CHIP 330E 5%	#R315	XX1X	038-13680-00	RES 0603 CHIP 680E 1/16W +5%
R117		036-13330-00	RES M/F 0805 CHIP 330E 5%	#R315	XX2X	038-13220-00	RES 0603 CHIP 220E 1/16W +5%
R118		036-13330-00	RES M/F 0805 CHIP 330E 5%	#R316	XX0X	038-14680-00	RES 0603 CHIP 6K8 1/16W +5%
R129		038-16100-00	RES 0603 CHIP 100K 1/16W +5%	#R316	XX1X	038-15100-00	RES 0603 CHIP 10K 1/16W +5%
R130		038-13330-00	RES 0603 CHIP 330E 1/16W +5%	#R316	XX2X	038-14680-00	RES 0603 CHIP 6K8 1/16W +5%
R131		038-13470-00	RES 0603 CHIP 470E 1/16W +5%	R317		038-13100-00	RES 0603 CHIP 100E 1/16W +5%
R132		038-14470-00	RES 0603 CHIP 4K7 1/16W +5%	R318		038-14150-00	RES 0603 CHIP 1K5 1/16W +5%
R133		038-14220-00	RES 0603 CHIP 2K2 1/16W +5%	R319		038-12470-00	RES 0603 CHIP 47E 1/16W +5%
R134		038-17100-00	RES 0603 CHIP 1M 1/16W +5%	R320		038-13100-00	RES 0603 CHIP 100E 1/16W +5%
R135		038-16100-00	RES 0603 CHIP 100K 1/16W +5%	R321		038-14220-00	RES 0603 CHIP 2K2 1/16W +5%
R136		038-17100-00	RES 0603 CHIP 1M 1/16W +5%	R322		038-15150-00	RES 0603 CHIP 15K 1/16W +5%
R138		036-15270-20	RES M/F 0805 CHIP 27K 0.5%	R323		038-15100-00	RES 0603 CHIP 10K 1/16W +5%
R139		036-15100-20	RES M/F 0805 CHIP 10K 0.5%	R324		038-12470-00	RES 0603 CHIP 47E 1/16W +5%
R141		038-16470-00	RES 0603 CHIP 470K 1/16W +5%	R325		038-15100-00	RES 0603 CHIP 10K 1/16W +5%
R142		038-16470-00	RES 0603 CHIP 470K 1/16W +5%	R330		038-14330-00	RES 0603 CHIP 3K3 1/16W +5%
R143		038-15100-00	RES 0603 CHIP 10K 1/16W +5%	R331		038-14100-00	RES 0603 CHIP 1K0 1/16W +5%
R144		038-15100-00	RES 0603 CHIP 10K 1/16W +5%	R332		038-14150-00	RES 0603 CHIP 1K5 1/16W +5%
R145		036-15270-20	RES M/F 0805 CHIP 27K 0.5%	R333		038-14680-00	RES 0603 CHIP 6K8 1/16W +5%
R146		036-15100-20	RES M/F 0805 CHIP 10K 0.5%	R334		038-15270-00	RES 0603 CHIP 27K 1/16W +5%
R200		038-14220-00	RES 0603 CHIP 2K2 1/16W +5%	R335		038-14150-00	RES 0603 CHIP 1K5 1/16W +5%
R201		038-15270-00	RES 0603 CHIP 27K 1/16W +5%	R337		038-14220-00	RES 0603 CHIP 2K2 1/16W +5%
R202		038-15470-00	RES 0603 CHIP 47K 1/16W +5%	R338		038-12220-00	RES 0603 CHIP 22E 1/16W +5%
R203		038-14100-00	RES 0603 CHIP 1K0 1/16W +5%	R339		036-14180-00	RES M/F 0805 CHIP 1K8 5%
R204		038-16100-00	RES 0603 CHIP 100K 1/16W +5%	R340		038-15470-00	RES 0603 CHIP 47K 1/16W +5%
%R205	XX1X	036-14470-00	RES M/F 0805 CHIP 4K7 5%	#R341	XX0X	038-14470-00	RES 0603 CHIP 4K7 1/16W +5%
%R205	XX2X	036-14820-00	RES M/F 0805 CHIP 8K2 5%	#R341	XX1X	038-14470-00	RES 0603 CHIP 4K7 1/16W +5%
R206		036-15330-00	RES M/F 0805 CHIP 33K 5%	#R341	XX2X	038-15100-00	RES 0603 CHIP 10K 1/16W +5%
R207		038-14100-00	RES 0603 CHIP 1K0 1/16W +5%	R344		045-15100-00	RES NTC SMD 10K 5%
R208		038-14220-00	RES 0603 CHIP 2K2 1/16W +5%	R345		038-15100-00	RES 0603 CHIP 10K 1/16W +5%
R209		045-15100-00	RES NTC SMD 10K 5%	R346		038-15470-00	RES 0603 CHIP 47K 1/16W +5%
%R210	XX1X	036-14820-00	RES M/F 0805 CHIP 8K2 5%	R347		036-10000-00	RES M/F 0805 CHIP ZERO OHM
%R210	XX2X	036-14330-00	RES M/F 0805 CHIP 3K3 5%	R348		038-14470-00	RES 0603 CHIP 4K7 1/16W +5%
%R211	XX1X	036-14220-00	RES M/F 0805 CHIP 2K2 5%	R349		038-15100-00	RES 0603 CHIP 10K 1/16W +5%
%R211	XX2X	036-14150-00	RES M/F 0805 CHIP 1K5 5%	#R350	XX0X	036-16560-00	RES M/F 0805 CHIP 560K 5%
R212		036-15220-00	RES M/F 0805 CHIP 22K 5%	#R350	XX1X	036-16560-00	RES M/F 0805 CHIP 560K 5%
R213		038-13100-00	RES 0603 CHIP 100E 1/16W +5%	#R350	XX2X	036-16560-00	RES M/F 0805 CHIP 560K 5%
R214		038-14150-00	RES 0603 CHIP 1K5 1/16W +5%	R354		038-14100-00	RES 0603 CHIP 1K0 1/16W +5%
R215		038-15100-00	RES 0603 CHIP 10K 1/16W +5%	R356		038-13100-00	RES 0603 CHIP 100E 1/16W +5%
R216		038-15100-00	RES 0603 CHIP 10K 1/16W +5%	R357		038-14470-00	RES 0603 CHIP 4K7 1/16W +5%
R217		038-12220-00	RES 0603 CHIP 22E 1/16W +5%	R358		036-16180-00	RES M/F 0805 CHIP 180K 5%
R217A		038-13330-00	RES 0603 CHIP 330E 1/16W +5%	R359		038-14100-00	RES 0603 CHIP 1K0 1/16W +5%
R218		038-12220-00	RES 0603 CHIP 22E 1/16W +5%	R360		038-15270-00	RES 0603 CHIP 27K 1/16W +5%
R219		038-12220-00	RES 0603 CHIP 22E 1/16W +5%	#R361	XX0X	036-16470-00	RES M/F 0805 CHIP 470K 5%
R220		038-12220-00	RES 0603 CHIP 22E 1/16W +5%	#R361	XX1X	036-16470-00	RES M/F 0805 CHIP 470K 5%
R221		038-14100-00	RES 0603 CHIP 1K0 1/16W +5%	#R361	XX2X	036-16470-00	RES M/F 0805 CHIP 470K 5%
R222		038-15470-00	RES 0603 CHIP 47K 1/16W +5%	R362		038-15470-00	RES 0603 CHIP 47K 1/16W +5%
R223		038-15470-00	RES 0603 CHIP 47K 1/16W +5%	R363		036-16100-00	RES M/F 0805 CHIP 100K 5%
*R224	51XX	036-14560-00	RES M/F 0805 CHIP 5K6 5%	R368		038-14220-00	RES 0603 CHIP 2K2 1/16W +5%
*R224	52XX	036-14560-00	RES M/F 0805 CHIP 5K6 5%	#R369	XX0X	038-14470-00	RES 0603 CHIP 4K7 1/16W +5%
*R224	53XX	036-14470-00	RES M/F 0805 CHIP 4K7 5%	#R369	XX1X	038-14470-00	RES 0603 CHIP 4K7 1/16W +5%
*R224	71XX	036-14560-00	RES M/F 0805 CHIP 5K6 5%	#R369	XX2X	038-14470-00	RES 0603 CHIP 4K7 1/16W +5%
R228		038-13100-00	RES 0603 CHIP 100E 1/16W +5%	#R370	XX0X	036-14150-00	RES M/F 0805 CHIP 1K5 5%
R229		038-14220-00	RES 0603 CHIP 2K2 1/16W +5%	#R370	XX1X	036-14270-00	RES M/F 0805 CHIP 2K7 5%
R230		036-16470-00	RES M/F 0805 CHIP 470K 5%	#R370	XX2X	036-14150-00	RES M/F 0805 CHIP 1K5 5%
R235		038-15150-00	RES 0603 CHIP 15K 1/16W +5%	#R371	XX0X	036-15100-10	RES M/F 0805 CHIP 10K 1%
R240		038-14220-00	RES 0603 CHIP 2K2 1/16W +5%	#R371	XX1X	036-15100-10	RES M/F 0805 CHIP 10K 1%
R241		038-15470-00	RES 0603 CHIP 47K 1/16W +5%	#R371	XX2X	036-15100-10	RES M/F 0805 CHIP 10K 1%
R242		038-15100-00	RES 0603 CHIP 10K 1/16W +5%	#R380	XX0X	038-15100-00	RES 0603 CHIP 10K 1/16W +5%
R245		038-12100-00	RES 0603 CHIP 10E 1/16W +5%				

Ref	Var	IPN	Description	Ref	Var	IPN	Description
#R380	XX2X	038-15100-00	RES 0603 CHIP 10K 1/16W +-5%				
#R381	XX0X	045-15100-00	RES NTC SMD 10K 5%				
#R381	XX2X	045-15100-00	RES NTC SMD 10K 5%				
#R382	XX0X	036-15680-00	RES M/F 0805 CHIP 68K 5%				
#R382	XX1X	036-15220-00	RES M/F 0805 CHIP 22K 5%				
#R382	XX2X	036-15680-00	RES M/F 0805 CHIP 68K 5%				
SK-FLX		240-02010-92	CONN 22WAY FFC MOLEX STRAIGHT (LEADED P				
SK202		240-02010-91	CONN 5WAY FEM LOW PROF SKT STRIP PCB MN				
%XL201	XX1X	274-01058-00	XTAL 12.8MHZ TE/45 +-5PPM UM-1 3 LEAD				
%XL201	XX2X	274-01057-00	XTAL 12.8MHZ TE/44 +-3PPM UM-1 3 LEAD				
XL301		274-00010-22	XTAL 44.545MHZ SPEC TE/22 UM-1 C/W TEFLON				
#XF301	XX0X	276-00010-69	FLTR XTAL 45MHZ 7.5KHZ B/W 2 POLE FUN				
#XF301	XX1X	276-00010-68	FLTR XTAL 45MHZ 15KHZ B/W 2 POLE FUND				
#XF301	XX2X	276-00010-69	FLTR XTAL 45MHZ 7.5KHZ B/W 2 POLE FUN				
#XF302	XX0X	276-00010-69	FLTR XTAL 45MHZ 7.5KHZ B/W 2 POLE FUN				
#XF302	XX1X	276-00010-68	FLTR XTAL 45MHZ 15KHZ B/W 2 POLE FUND				
#XF302	XX2X	276-00010-69	FLTR XTAL 45MHZ 7.5KHZ B/W 2 POLE FUN				

Note: The first character in the variant column refers to frequency band, the second refers to frequency sub-band, the third refers to the IF bandwidth and the fourth refers to frequency stability, as follows:

51XX 400-440MHz
 52XX 440-470MHz
 53XX 470-520MHz
 71XX 360-400MHz

XX0X 7.5kHz IF bandwidth, programmable to 15kHz
 XX1X 15kHz IF bandwidth
 XX2X 7.5kHz IF bandwidth

XXX1 ±5ppm -10 to +60°C
 XXX2 ±3ppm -10 to +50°C

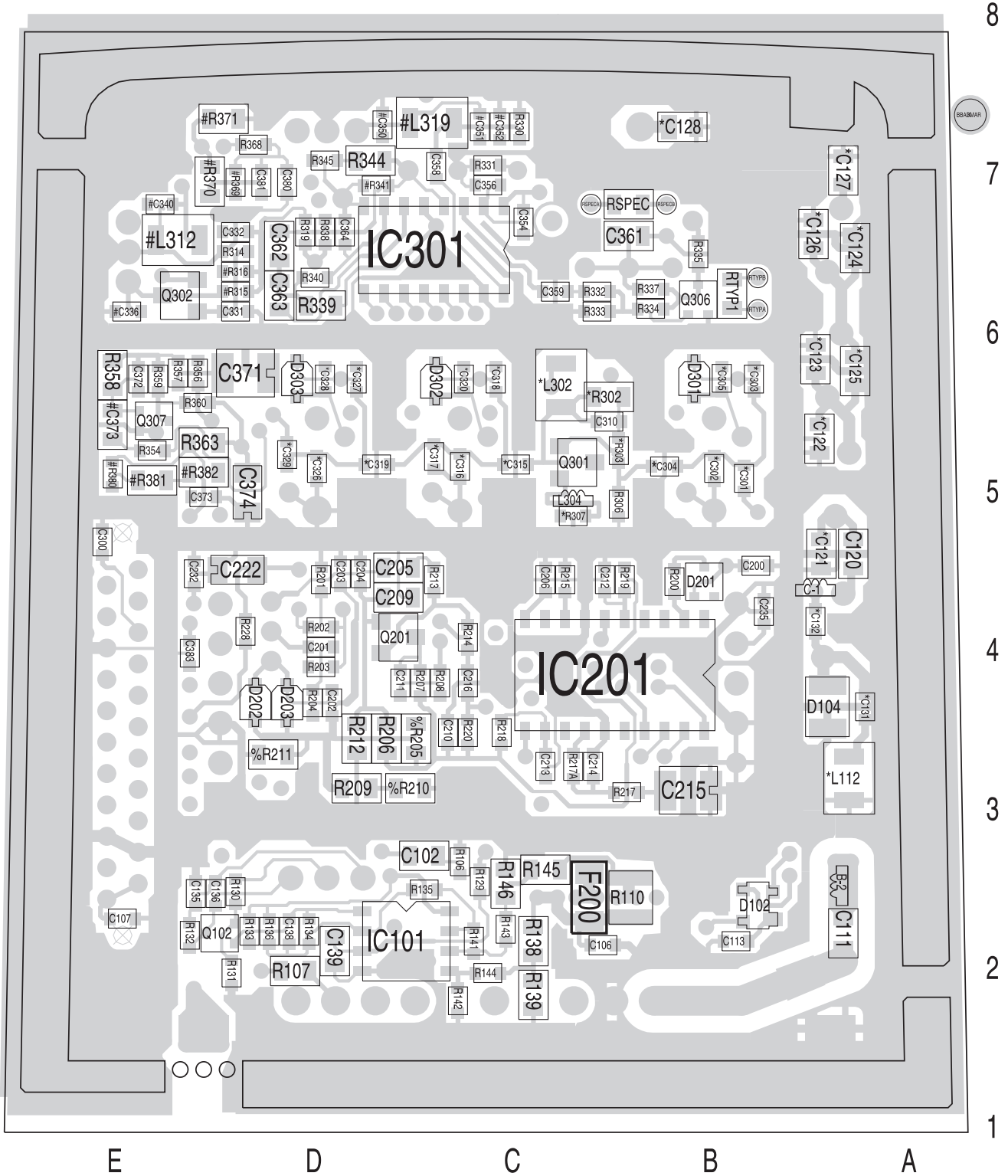
T3000-5000/-7000 Mechanical & Miscellaneous Parts

IPN	Description	IPN	Description
220-01235-09	PCB T3500 400-520MHZ IS (T3700 340-360MHZ)		
220-01266-01	PCB T3000 RF FLEX-LOOM		
220-01285-04	PCB T3000 AERIAL SWITCH		
232-02034-02	(L) CAP A4M2868 AERIAL SWITCH		
232-02035-02	CASE A4M2869 T3000 AERIAL SWITCH		
303-11200-00	CHASSIS T3000 DCAST (BEAD BLSTD COMPLT 1997 T		
303-20053-00	COVER T3000 ACC PIN & AERIAL SWITCH(CLIP ON)		
303-20056-00	COVER REAR T3000 SII		
303-50025-03	CONTACT RADIO CONNECTOR T3000 (BE CU)		
303-50026-00	CONTACT A4M2767 T3000 AERIAL (PCB SWITCH)		
303-50070-00	CLIP A4M2648 XSTR MTG T2000PA/T555'S		
303-50079-01	(L) CLIP A3M2789 T3000 BELT		
303-50080-00	CONTACT PRESSEL EARTHING T3000		
308-00011-02	MOULDING A1M2717 T3000 RADIO BAT CONTACT		
312-01074-00	LID T3000 BTM DCAST BEAD BLASTED COMPL(1997 T		
316-85024-00	(L) PIN A4M2867 AERIAL SWITCH T3000		
316-85025-01	(L) EARTH RING A4M2870 T3000		
319-01041-01	(L) SPRING A4M2872 T3000 AERIAL SWITCH		
319-01048-03	STUD A4M2718 AERIAL MNT T3000		
319-01222-00	SHIELD T3000 DCAST BEAD BLSTD COMPLETE		
345-00010-11	(L) SCREW M2*9.4MM PAN POZI SS		
345-00020-02	SCREW M2.5 * 10 PAN POZI ST BZ		
345-00020-03	(L) SCREW M2.5X5MM CSK POZI MACHINE BLACK		
345-00020-08	SCREW M2.5*16MM PAN POZI ST BZ		
345-00020-10	SCREW M2.5*20MM PAN POZI ST BZ		
345-00030-20	SCREW M2.5 X 8MM BLACK CSK POZI MACHINE SCRE		
353-00010-02	WASHER M2 SHAKEPROOF INT BZ		
354-01038-01	FASTENER A4M2783 MODULE T3000		
358-01021-00	EYELET 20*13*25		
360-02014-00	SPACER SIL T3000 RADIO BAT CONTACT SUPPORT		
362-01059-02	BUSH INS A4M2713 AERIAL STUD T3000		
362-01074-00	GASKET T3000 ACC PIN & AERIAL SWITCH COVER		
362-01076-00	SEAL SIL RADIO BATTERY CONTACT T3000		
362-01077-01	SEAL SIL T3000 PERIMETER GASKET		
365-00100-20	LABEL WHITE S/A 28X11MM QUIKSTIK RW718/4		
369-00020-48	TAPE 2 SIDE 20MM * 50M ROLL (4959)		
T952-250	PRU) ANTENNA 320-520MHZ TUNABLE (6 INCH)		

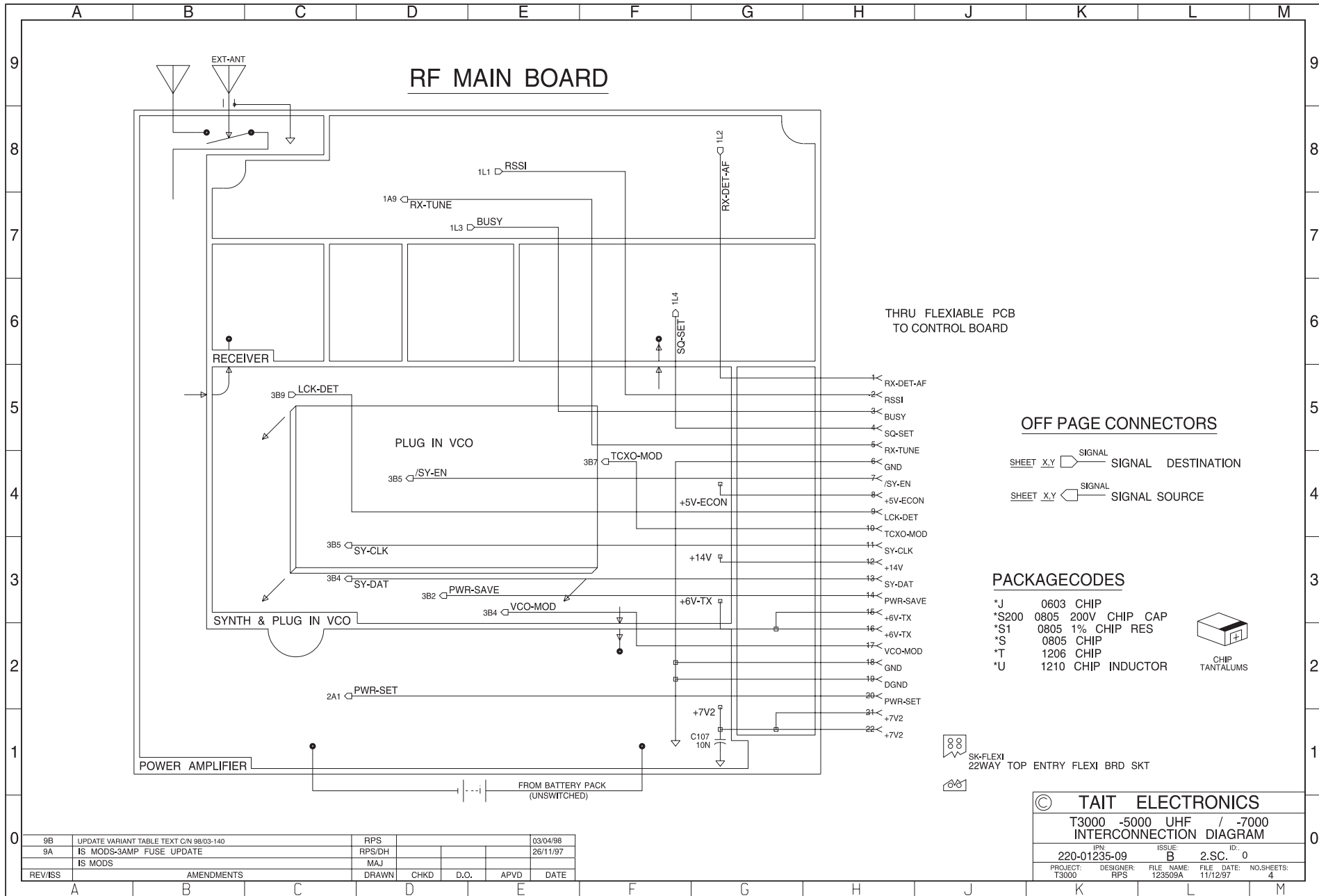
T3000-5000/-7000 Grid Reference Index (IPN 220-01235-09)

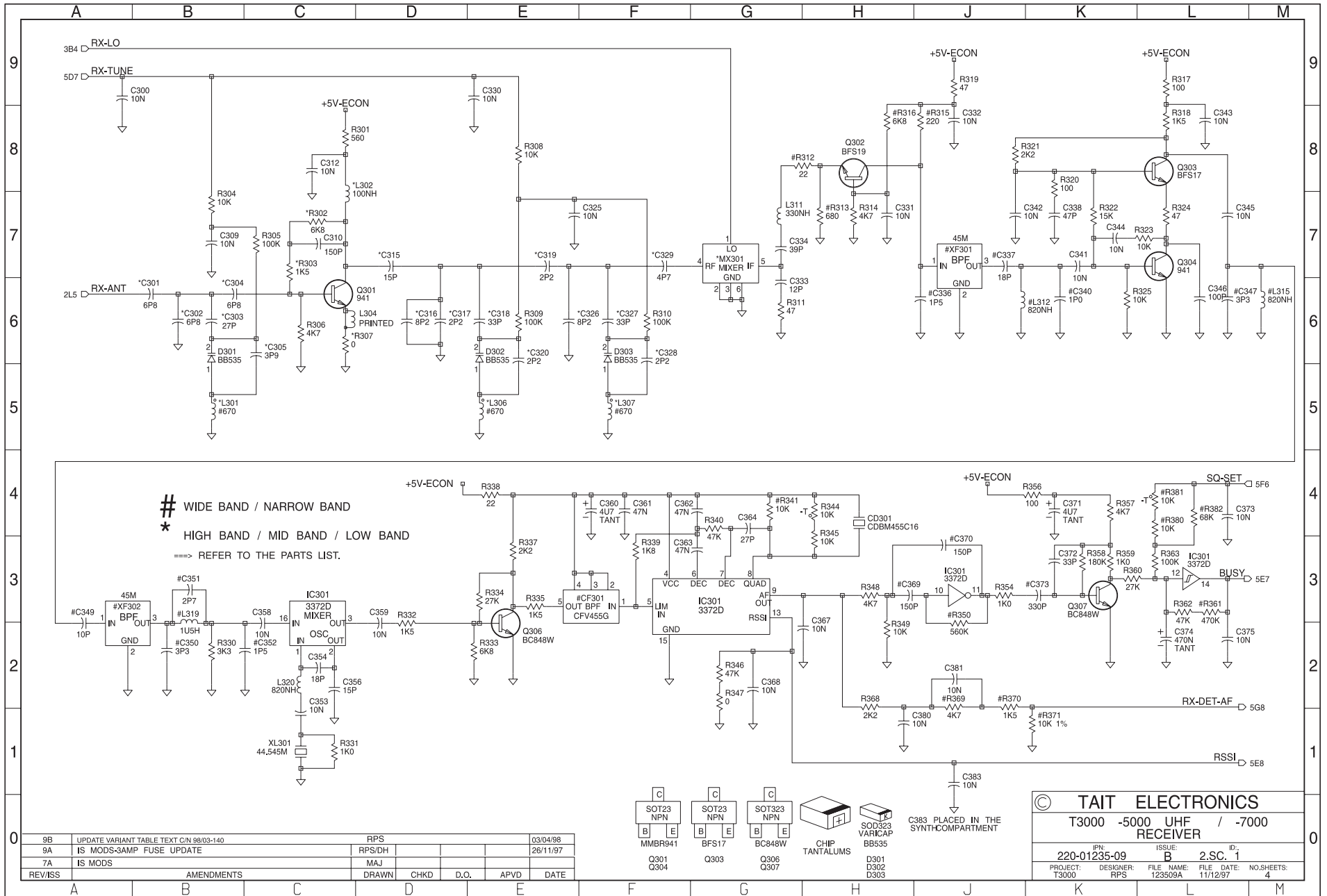
Device	PCB	Circuit	Device	PCB	Circuit	Device	PCB	Circuit	Device	PCB	Circuit
A-2	1:E2	2-B7	C232	2:E5	3-D2	C383	2:E4	1-J1	Q302	2:E6	1-H8
			C235	2:B4	3-E2	CD301	1:D7	1-H4	Q303	1:D6	1-L8
B-2	2:A3	2-F7	C238	1:B4	3-K1	#CF301	1:B7	1-F2	Q304	1:D6	1-L7
B-3	1:A3	2-G7	C300	2:E5	1-A9				Q306	2:B6	1-E2
B-4	1:A4	2-G7	*C301	2:B5	1-B6	D102	2:B2	2-E9	Q307	2:E6	1-K3
B-5	1:B7	2-K7	*C302	2:B5	1-B6	D103	1:A4	2-G7	*R101	1:D3	2-A7
			*C303	2:B6	1-B6	D104	2:A4	2-H5	*R102	1:E3	2-B7
C-1	2:B4	2-J5	*C304	2:B5	1-B6	D201	2:B4	3-C9	*R103	1:D3	2-B7
C-2	1:E3	2-A7	*C305	2:B6	1-C6	D202	2:D4	3-D7	R106	2:C3	2-C4
C101	1:E2	2-B7	C309	1:B6	1-B7	D203	2:D4	3-D7	R107	2:D2	2-C6
C102	2:C3	2-C5	C310	2:C6	1-C7	D204	1:B4	3-H5	R108	1:D2	2-C5
C103	1:D2	2-C6	C312	1:C5	1-C8	D205	1:B4	3-K2	R109	1:D2	2-C6
C104	1:C2	2-D6	*C315	2:C5	1-D7	D206	1:C4	3-L1	R110	2:B3	2-E5
C105	1:C3	2-E6	*C316	2:C5	1-D6	D207	1:B4	3-K2	R113	1:B2	2-D8
C106	2:C2	2-E5	*C317	2:C5	1-D6	D301	2:B6	1-B6	R114	1:B2	2-E8
C107	2:E2	5-G1	*C318	2:C6	1-E6	D302	2:C6	1-E6	R116	1:A2	2-F8
C109	1:B2	2-D9	*C319	2:D5	1-E7	D303	2:D6	1-F6	R117	1:A2	2-F8
C110	1:B2	2-D8	*C320	2:C6	1-E6				R118	1:B2	2-F8
C111	2:A2	2-E7	C325	1:D6	1-E7	FUSE	1:D2	2-A5	R129	2:C3	2-B1
C112	1:B2	2-F8	*C326	2:D5	1-E6	FUSE2	2:C3	2-D5	R130	2:D3	2-D2
C113	2:B2	2-E9	*C327	2:D6	1-F6				R131	2:D2	2-E2
*C115	1:A4	2-G7	*C328	2:D6	1-F6	IC101	2:D2	2-H2	R132	2:E2	2-E3
C120	2:A5	2-H7	*C329	2:D5	1-F7	IC101	2:D2	2-F3	R133	2:D2	2-E3
*C121	2:A5	2-H7	C330	1:C6	1-E9	IC101	2:D2	2-J3	R134	2:D2	2-F3
*C122	2:A5	2-H7	C331	2:D6	1-H7	IC201	2:C4	3-F6	R135	2:C3	2-G2
*C123	2:B6	2-J7	C332	2:D7	1-J8	IC202	1:B3	3-C2	R136	2:D2	2-F3
*C124	2:A7	2-J7	C333	1:D6	1-G6	IC203	1:D4	3-K8	R138	2:C2	2-H4
*C125	2:A6	2-J7	C334	1:E6	1-G7	IC203	1:D4	3-L8	R139	2:C2	2-H3
*C126	2:B7	2-J7	#C336	2:E6	1-J6	IC203	1:D4	3-B7	R141	2:C2	2-G2
*C127	2:A7	2-K7	#C337	1:E7	1-J7	IC301	2:C7	1-F2	R142	2:C2	2-H2
*C128	2:B7	2-K7	C338	1:D6	1-K7	IC301	2:C7	1-C2	R143	2:C2	2-H2
*C131	2:A4	2-H5	#C340	2:E7	1-K6	IC301	2:C7	1-L3	R144	2:C2	2-H3
*C132	2:B4	2-H5	C341	1:E7	1-K7	IC301	2:C7	1-J3	R145	2:C3	2-J2
C135	2:E3	2-B4	C342	1:D6	1-J7				R146	2:C3	2-J2
C136	2:E3	2-D3	C343	1:D7	1-L8	L101	1:C2	2-D6	R200	2:B4	3-C9
C138	2:D2	2-F3	C344	1:D7	1-K7	L102	1:C2	2-D6	R201	2:D5	3-B6
C139	2:D2	2-F2	C345	1:D7	1-L7	L103	1:B2	2-E6	R202	2:D4	3-B6
C200	2:B5	3-B8	C346	1:E6	1-L6	L104	1:B3	2-F8	R203	2:D4	3-C7
C201	2:D4	3-C7	#C347	1:D7	1-L6	*L106	1:A5	2-H7	R204	2:D4	3-C7
C202	2:D4	3-C7	#C349	1:D7	1-A2	*L107	1:A6	2-J7	%R205	2:D4	3-D8
C203	2:D5	3-D6	#C350	2:D7	1-B2	*L108	1:A7	2-J7	R206	2:D4	3-E8
C204	2:D5	3-E6	#C351	2:C7	1-B3	*L111	1:A4	2-H5	R207	2:D4	3-E8
C205	2:D5	3-E6	#C352	2:C7	1-C2	*L112	2:A3	2-H4	R208	2:C4	3-F7
C206	2:C5	3-F6	C353	1:C7	1-C1	*L301	1:B5	1-B5	R209	2:D3	3-D6
C207	1:C4	3-G6	C354	2:C7	1-C2	*L302	2:C6	1-C7	%R210	2:D3	3-D6
C209	2:D4	3-E7	C356	2:C7	1-C2	L304	2:C5	1-C6	%R211	2:D3	3-D6
C210	2:C4	3-E8	C358	2:C7	1-C2	*L306	1:C5	1-E5	R212	2:D4	3-E6
C211	2:D4	3-F7	C359	2:C6	1-D2	*L307	1:D5	1-F5	R213	2:C5	3-E6
C212	2:C5	3-F8	C360	1:C7	1-F4	L311	1:E6	1-G7	R214	2:C4	3-E6
C213	2:C3	3-G8	C361	2:B7	1-F4	#L312	2:E7	1-J6	R215	2:C5	3-F6
C214	2:C3	3-G8	C362	2:D7	1-G4	#L315	1:E7	1-M6	R216	1:B4	3-H8
C215	2:B3	3-H9	C363	2:D6	1-G3	#L319	2:C7	1-B2	R217	2:B3	3-G9
C216	2:C4	3-H9	C364	2:D7	1-G4	L320	1:C7	1-C2	R217A	2:C3	3-G8
C217	1:C4	3-H7	C367	1:D6	1-H2				R218	2:C4	3-G9
C218	1:C4	3-H6	C368	1:C7	1-G2	*M100	1:C2	2-D7	R219	2:B5	3-F9
C219	1:D4	3-J6	#C369	1:D7	1-H3	*MX301	1:E5	1-G6	R220	2:C4	3-H9
C220	1:D4	3-J6	#C370	1:C6	1-J3				R221	1:C4	3-H7
C221	1:C4	3-J7	C371	2:D6	1-K4	PL201	1:B4	3-E1	R222	1:C4	3-J9
C222	2:D5	3-L8	C372	2:E6	1-K3				R223	1:C4	3-K7
C223	1:D3	3-L7	#C373	2:E5	1-K3	Q101	1:D3	2-D3	*R224	1:D4	3-J5
C224	1:D4	3-L7	C373	2:E5	1-L4	Q102	2:E2	2-E2	R228	2:D4	3-L9
C227	1:C4	3-H8	C374	2:D5	1-L2	Q201	2:D4	3-E7	R229	1:D4	3-L7
C229	1:E3	3-B3	C375	1:C6	1-L2	Q203	1:C4	3-L2	R230	1:D3	3-L7
C230	1:C3	3-B2	C380	2:D7	1-H1	Q205	1:C4	3-L2	R235	1:C3	3-B2
C231	1:B3	3-D2	C381	2:D7	1-J2	Q301	2:C5	1-C6	R240	1:B4	3-K2

Device	PCB	Circuit	Device	PCB	Circuit	Device	PCB	Circuit	Device	PCB	Circuit
R241	1:C4	3-L2									
R242	1:C5	3-L1	SK202	1:E4	3-H1						
R245	1:C4	3-B3	SK-FLEXI	1:E4	5-J1						
R301	1:C5	1-C8									
*R302	2:C6	1-C7	#XF301	1:E7	1-J7						
*R303	2:C5	1-C7	#XF302	1:D7	1-A2						
R304	1:B6	1-B7	%XL201	1:D4	3-D7						
R305	1:B6	1-C7	XL301	1:C7	1-C1						
R306	2:C5	1-C6									
*R307	2:C5	1-C6									
R308	1:C6	1-E8									
R309	1:C6	1-E6									
R310	1:D6	1-F6									
R311	1:D6	1-G6									
#R312	1:E6	1-H8									
#R313	1:E6	1-H7									
R314	2:D7	1-H7									
#R315	2:D6	1-J8									
#R316	2:D6	1-H8									
R317	1:D7	1-L9									
R318	1:D7	1-L8									
R319	2:D7	1-J9									
R320	1:D6	1-K8									
R321	1:D6	1-J8									
R322	1:D6	1-K7									
R323	1:D7	1-L7									
R324	1:D7	1-L7									
R325	1:E7	1-K6									
R330	2:C7	1-B2									
R331	2:C7	1-C1									
R332	2:C6	1-D2									
R333	2:C6	1-E2									
R334	2:B6	1-E3									
R335	2:B7	1-E3									
R337	2:B6	1-E3									
R338	2:D7	1-E4									
R339	2:D6	1-F3									
R340	2:D6	1-G4									
#R341	2:D7	1-G4									
R344	2:D7	1-H4									
R345	2:D7	1-H3									
R346	1:C7	1-G2									
R347	1:C7	1-G2									
R348	1:D7	1-H3									
R349	1:C7	1-H2									
#R350	1:D6	1-J2									
R354	2:E5	1-J3									
R356	2:E6	1-K4									
R357	2:E6	1-K4									
R358	2:E6	1-K3									
R359	2:E6	1-K3									
R360	2:E6	1-K3									
#R361	1:C6	1-L3									
R362	1:C6	1-L3									
R363	2:E5	1-L3									
R368	2:D7	1-H2									
#R369	2:D7	1-J2									
#R370	2:E7	1-J2									
#R371	2:D7	1-K1									
#R380	2:E5	1-L4									
#R381	2:E5	1-L4									
#R382	2:E5	1-L4									
RSPEC	2:B7	6-C1									
RSPECA	2:C7	6-C1									
RSPECB	2:B7	6-C1									
RTYP1	2:B6	6-C2									
RTYP2	1:B6	6-C2									
RTYPA	2:B6	6-C2									
RTYPB	2:B6	6-C2									

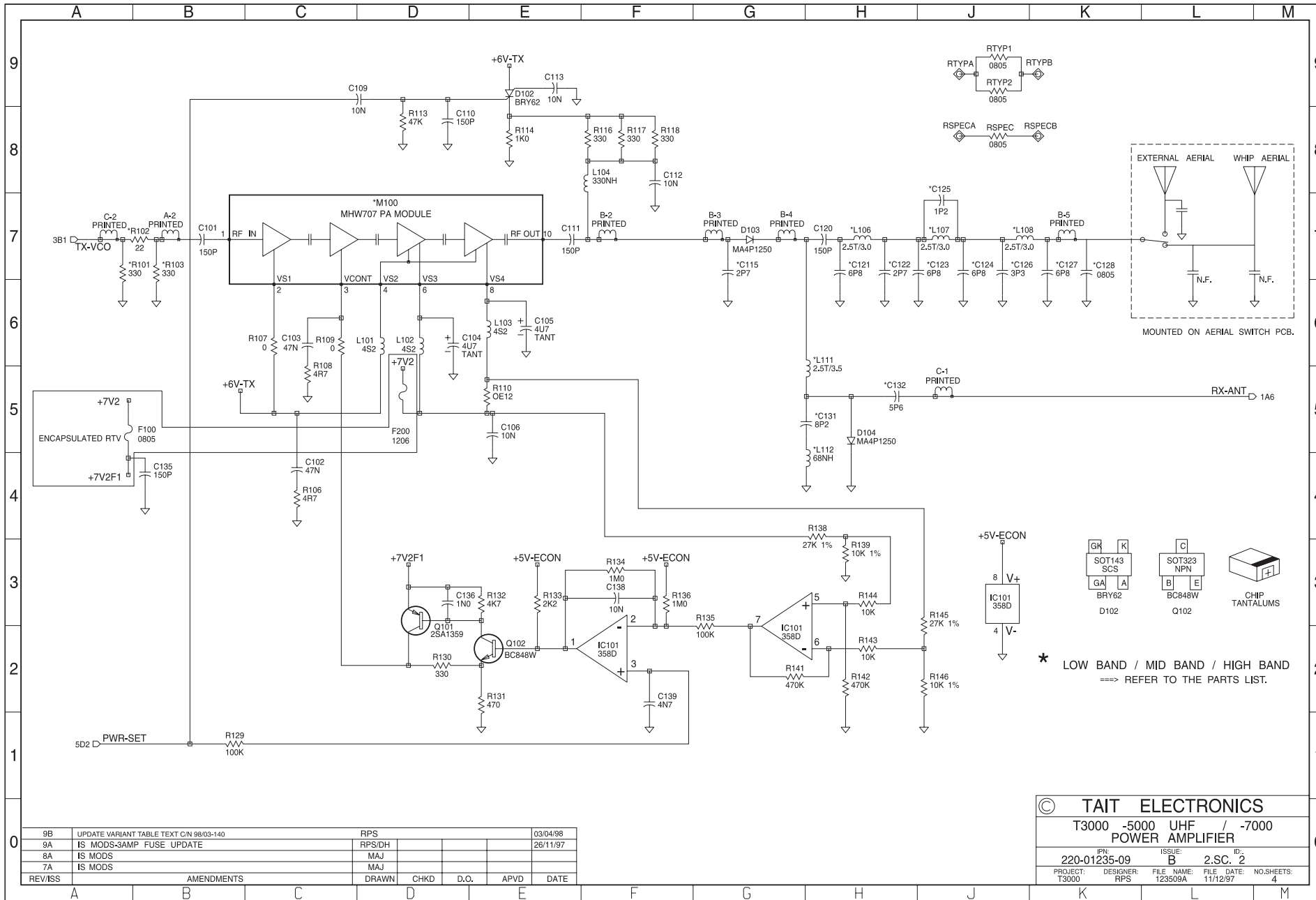


T3000-5000/-7000 RF PCB (IPN 220-01235-09) - Bottom Side





© TAIT ELECTRONICS
 T3000 -5000 UHF / -7000 RECEIVER
 PROJECT: T3000 DESIGNER: RPS FILE NAME: 123509A FILE DATE: 11/12/97 NO. SHEETS: 4
 ISSUE: B 2.S.C.: 1
 ID: 1
 I/PN: 220-01235-09

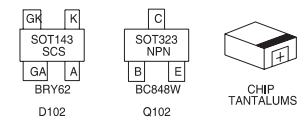


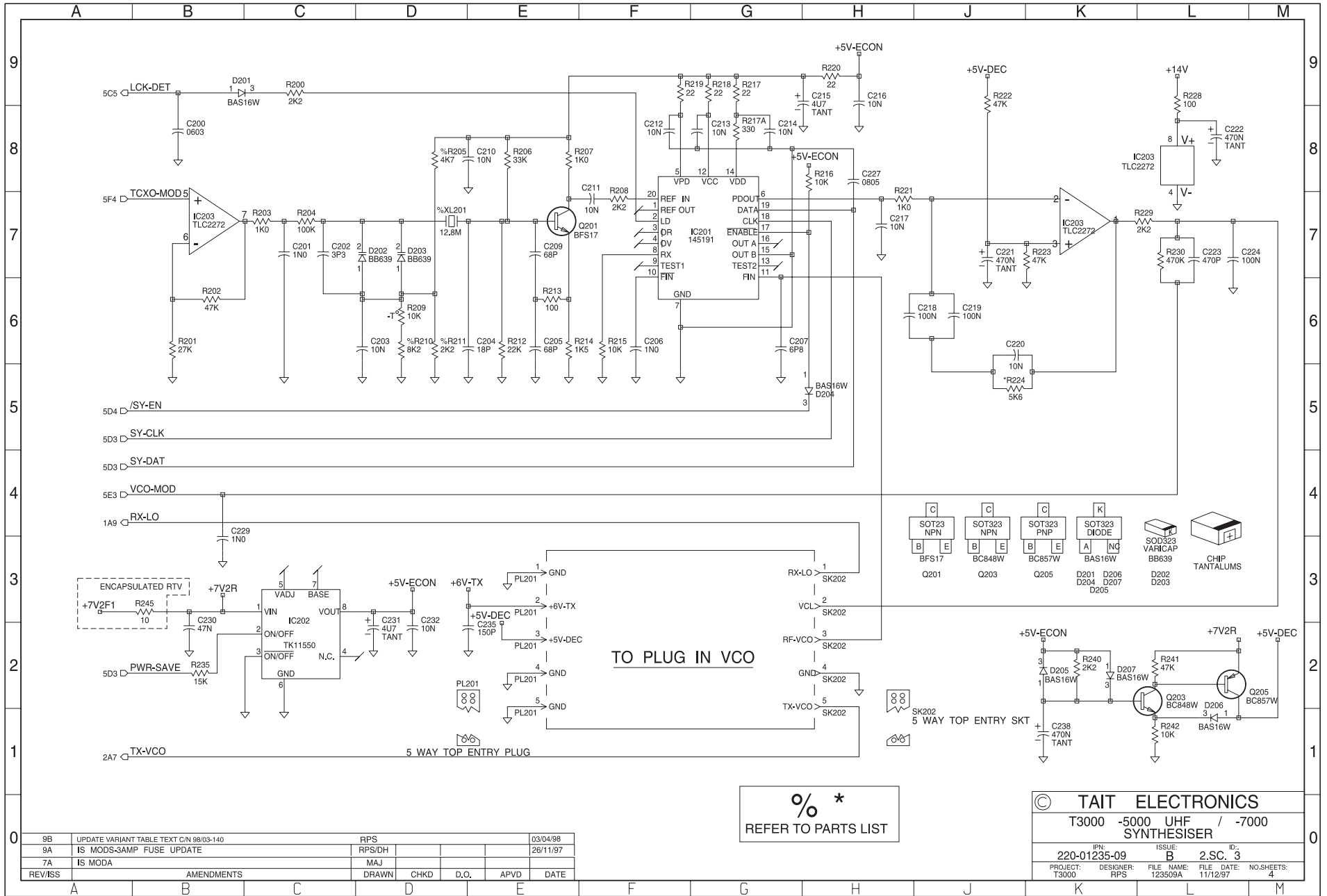
9B	UPDATE VARIANT TABLE TEXT C/N 98/03-140	RPS	03/04/98
9A	IS MODS-3AMP FUSE UPDATE	RPS/DH	26/11/97
8A	IS MODS	MAJ	
7A	IS MODS	MAJ	
REV/ISS	AMENDMENTS	DRAWN	CHKD
		D.O.	APVD
			DATE

© TAIT ELECTRONICS
 T3000 -5000 UHF / -7000
 POWER AMPLIFIER

IPN: 220-01235-09 ISSUE: B 2.S.C. 2 ID: 2

PROJECT: T3000 DESIGNER: RPS FILE NAME: 123509A FILE DATE: 11/12/97 NO.SHEETS: 4





8.2.3 T3010 IS Control PCB

T3010 Parts List (IPN 220-01269-09)

Parts List Amendments

Ref	Var	IPN	Description	Ref	Var	IPN	Description
C501		015-25470-08	CAP CER 0805 CHIP 47N 10% X7R 50V	C639		018-16100-01	CAP 0603 CHIP 100N +80-20% Y5V 16V
C503		018-12150-10	CAP 0603 CHIP 15P 50V NPO +0.1P	C640		014-07470-01	CAP TANT CHIP 4U7 'B' CASE 25V +10% 267
C504		018-12100-10	CAP 0603 CHIP 10P 50V NPO +0.1P	C641		018-15100-00	CAP 0603 CHIP 10N 50V X7R +10%
C505		018-12150-10	CAP 0603 CHIP 15P 50V NPO +1%	C643		018-14100-00	CAP 0603 CHIP 1N 50V X7R +10%
C506		015-25470-08	CAP CER 0805 CHIP 47N 10% X7R 50V	C644		015-25470-08	CAP CER 0805 CHIP 47N 10% X7R 50V
C507		015-25470-08	CAP CER 0805 CHIP 47N 10% X7R 50V	C645		018-13150-00	CAP 0603 CHIP 150P 50V NPO +5%
C508		015-25470-08	CAP CER 0805 CHIP 47N 10% X7R 50V	C646		018-16100-01	CAP 0603 CHIP 100N +80-20% Y5V 16V
C509		015-25470-08	CAP CER 0805 CHIP 47N 10% X7R 50V	C700		018-15100-00	CAP 0603 CHIP 10N 50V X7R +10%
C515		018-15100-00	CAP 0603 CHIP 10N 50V X7R +10%	C701		018-15100-00	CAP 0603 CHIP 10N 50V X7R +10%
C519		018-15100-00	CAP 0603 CHIP 10N 50V X7R +10%	C702		015-25470-08	CAP CER 0805 CHIP 47N 10% X7R 50V
C520		015-25470-08	CAP CER 0805 CHIP 47N 10% X7R 50V	C703		018-15100-00	CAP 0603 CHIP 10N 50V X7R +10%
C521		014-06470-00	CAP TANT CHIP 470N 25V +-20% 6X3.2X2.5MM	C704		018-15100-00	CAP 0603 CHIP 10N 50V X7R +10%
C522		018-15100-00	CAP 0603 CHIP 10N 50V X7R +10%	C705		018-15100-00	CAP 0603 CHIP 10N 50V X7R +10%
C523		018-15100-00	CAP 0603 CHIP 10N 50V X7R +10%	C706		018-15100-00	CAP 0603 CHIP 10N 50V X7R +10%
C524		018-15100-00	CAP CER 0805 CHIP 47N 10% X7R 50V	C707		014-06470-00	CAP TANT CHIP 470N 25V +-20% 6X3.2X2.5MM
C525		015-25470-08	CAP CER 0805 CHIP 47N 10% X7R 50V	C708		018-13150-00	CAP 0603 CHIP 150P 50V NPO +5%
C526		015-25470-08	CAP CER 0805 CHIP 47N 10% X7R 50V	C708A		015-25470-08	CAP CER 0805 CHIP 47N 10% X7R 50V
C527		018-15100-00	CAP 0603 CHIP 10N 50V X7R +10%	C709		014-06470-00	CAP TANT CHIP 470N 25V +-20% 6X3.2X2.5MM
C530		018-15100-00	CAP 0603 CHIP 10N 50V X7R +10%	C710		014-06470-00	CAP TANT CHIP 470N 25V +-20% 6X3.2X2.5MM
C531		018-15100-00	CAP 0603 CHIP 10N 50V X7R +10%	C711		018-14100-00	CAP 0603 CHIP 1N 50V X7R +10%
C532		018-15100-00	CAP 0603 CHIP 10N 50V X7R +10%	C712		018-15100-00	CAP 0603 CHIP 10N 50V X7R +10%
C533		018-15100-00	CAP 0603 CHIP 10N 50V X7R +10%	C715		014-07470-01	CAP TANT CHIP 4U7 'B' CASE 25V +10% 267
C534		018-15100-00	CAP 0603 CHIP 10N 50V X7R +10%	C723		018-16100-01	CAP 0603 CHIP 100N +80-20% Y5V 16V
C535		018-15100-00	CAP 0603 CHIP 10N 50V X7R +10%	C724		018-16100-01	CAP 0603 CHIP 100N +80-20% Y5V 16V
C540		015-25470-08	CAP CER 0805 CHIP 47N 10% X7R 50V	C725		014-08220-01	(L) CAP TANT CHIP 22UF 10V 276M CASE STY
C541		015-25470-08	CAP CER 0805 CHIP 47N 10% X7R 50V	C726		018-11680-10	CAP 0603 CHIP 6P8 50V NPO +0.1P
C542		018-15100-00	CAP 0603 CHIP 10N 50V X7R +10%	C728		018-15100-00	CAP 0603 CHIP 10N 50V X7R +10%
C543		018-15100-00	CAP 0603 CHIP 10N 50V X7R +10%	C729		018-14100-00	CAP 0603 CHIP 1N 50V X7R +10%
C570		015-25470-08	CAP CER 0805 CHIP 47N 10% X7R 50V	C730		018-15100-00	CAP 0603 CHIP 10N 50V X7R +10%
C571		018-15100-00	CAP 0603 CHIP 10N 50V X7R +10%	C731		015-23220-01	CAP CER 0805 CHIP 220P 5% NPO 50V
C601		018-15100-00	CAP 0603 CHIP 10N 50V X7R +10%	C735		018-15100-00	CAP 0603 CHIP 10N 50V X7R +10%
C602		018-15100-00	CAP 0603 CHIP 10N 50V X7R +10%	C736		018-15100-00	CAP 0603 CHIP 10N 50V X7R +10%
C603		018-13150-00	CAP 0603 CHIP 150P 50V NPO +5%	C737		018-15100-00	CAP 0603 CHIP 10N 50V X7R +10%
C604		014-07470-01	CAP TANT CHIP 4U7 'B' CASE 25V +10% 267	C738		015-25470-08	CAP CER 0805 CHIP 47N 10% X7R 50V
C605		015-24470-08	CAP CER 0805 CHIP 4N7 10% X7R 50V	C739		018-11470-10	CAP 0603 CHIP 4P7 50V NPO +0.1P
C606		014-07470-01	CAP TANT CHIP 4U7 'B' CASE 25V +10% 267	C741		014-07470-01	CAP TANT CHIP 4U7 'B' CASE 25V +10% 267
C607		018-11220-10	CAP 0603 CHIP 2P2 50V NPO +0.1P	C742		015-24470-08	CAP CER 0805 CHIP 4N7 10% X7R 50V
C608		018-12470-10	CAP 0603 CHIP 47P 50V NPO +1%	C743		018-11150-10	CAP 0603 CHIP 1P5 50V NPO +0.1P
C609		015-25470-08	CAP CER 0805 CHIP 47N 10% X7R 50V	C744		018-12470-10	CAP 0603 CHIP 47P 50V NPO +1%
C610		015-25470-08	CAP CER 0805 CHIP 47N 10% X7R 50V	C745		015-25470-08	CAP CER 0805 CHIP 47N 10% X7R 50V
C611		014-06470-00	CAP TANT CHIP 470N 25V +-20% 6X3.2X2.5MM	C800		018-16100-01	CAP 0603 CHIP 100N +80-20% Y5V 16V
C612		018-12390-10	CAP 0603 CHIP 39P 50V NPO +1%	C801		018-16100-01	CAP 0603 CHIP 100N +80-20% Y5V 16V
C613		018-12470-10	CAP 0603 CHIP 47P 50V NPO +1%	C802		014-07470-01	CAP TANT CHIP 4U7 'B' CASE 25V +10% 267
C613A		018-12390-10	CAP 0603 CHIP 39P 50V NPO +1%	C803		018-15100-00	CAP 0603 CHIP 10N 50V X7R +10%
C614		014-07470-01	CAP TANT CHIP 4U7 'B' CASE 25V +10% 267	C804		018-15100-00	CAP 0603 CHIP 10N 50V X7R +10%
C615		018-15100-00	CAP 0603 CHIP 10N 50V X7R +10%	C805		018-15100-00	CAP 0603 CHIP 10N 50V X7R +10%
C616		018-15100-00	CAP 0603 CHIP 10N 50V X7R +10%	C806		014-07470-01	CAP TANT CHIP 4U7 'B' CASE 25V +10% 267
C617		018-15100-00	CAP 0603 CHIP 10N 50V X7R +10%	C807		018-15100-00	CAP 0603 CHIP 10N 50V X7R +10%
C618		018-15100-00	CAP 0603 CHIP 10N 50V X7R +10%	C808		018-15100-00	CAP 0603 CHIP 10N 50V X7R +10%
C619		014-08220-01	(L) CAP TANT CHIP 22UF 10V 276M CASE STY	C809		018-16100-01	CAP 0603 CHIP 100N +80-20% Y5V 16V
C620		018-15100-00	CAP 0603 CHIP 10N 50V X7R +10%	C810		015-25470-08	CAP CER 0805 CHIP 47N 10% X7R 50V
C621		018-15100-00	CAP 0603 CHIP 10N 50V X7R +10%	C811		015-25470-08	CAP CER 0805 CHIP 47N 10% X7R 50V
C622		018-15100-00	CAP 0603 CHIP 10N 50V X7R +10%	C812		015-25470-08	CAP CER 0805 CHIP 47N 10% X7R 50V
C624		018-16100-01	CAP 0603 CHIP 100N +80-20% Y5V 16V	C813		018-15100-00	CAP 0603 CHIP 10N 50V X7R +10%
C626		018-15100-00	CAP 0603 CHIP 10N 50V X7R +10%	C814		015-25470-08	CAP CER 0805 CHIP 47N 10% X7R 50V
C627		018-16100-01	CAP 0603 CHIP 100N +80-20% Y5V 16V	C815		018-13150-00	CAP 0603 CHIP 150P 50V NPO +5%
C628		018-13150-00	CAP 0603 CHIP 150P 50V NPO +5%	C816		015-25470-08	CAP CER 0805 CHIP 47N 10% X7R 50V
C629		018-14100-00	CAP 0603 CHIP 1N 50V X7R +10%	C817		015-25470-08	CAP CER 0805 CHIP 47N 10% X7R 50V
C630		018-15100-00	CAP 0603 CHIP 10N 50V X7R +10%	C818		014-07470-01	CAP TANT CHIP 4U7 'B' CASE 25V +10% 267
C632		018-12330-10	CAP 0603 CHIP 33P 50V NPO +1%	C819		018-15100-00	CAP 0603 CHIP 10N 50V X7R +10%
C635		014-07470-01	CAP TANT CHIP 4U7 'B' CASE 25V +10% 267	C820		018-13150-00	CAP 0603 CHIP 150P 50V NPO +5%
C636		018-15100-00	CAP 0603 CHIP 10N 50V X7R +10%	C822		014-07470-01	CAP TANT CHIP 4U7 'B' CASE 25V +10% 267
C637		018-16100-01	CAP 0603 CHIP 100N +80-20% Y5V 16V	C823		018-13150-00	CAP 0603 CHIP 150P 50V NPO +5%
C638		018-16100-01	CAP 0603 CHIP 100N +80-20% Y5V 16V				

Ref	Var	IPN	Description	Ref	Var	IPN	Description
D500		008-10067-03	(S) LED SMD GREEN LGT670-HK	Q801		000-10085-71	(S) XSTR SMD BC857BW PNP SOT-323 SMALL S
D501		008-10067-03	(S) LED SMD GREEN LGT670-HK	Q802		000-10084-81	(S) XSTR SMD BC848BW NPN SOT-323 SMALL S
D511		008-10022-00	(L) LED SMD YELLOW RIGHTANGLE CL-220-YG-				
D512		008-10022-00	(L) LED SMD YELLOW RIGHTANGLE CL-220-YG-	R500		038-15470-00	RES 0603 CHIP 47K 1/16W +-5%
D513		008-10022-00	(L) LED SMD YELLOW RIGHTANGLE CL-220-YG-	R501		038-15470-00	RES 0603 CHIP 47K 1/16W +-5%
D514		008-10022-00	(L) LED SMD YELLOW RIGHTANGLE CL-220-YG-	R504		038-15470-00	RES 0603 CHIP 47K 1/16W +-5%
D516		008-10024-57	(S) LED SMD RED/GREEN SLM-245LMW	R505		038-15470-00	RES 0603 CHIP 47K 1/16W +-5%
D517		001-10000-56	(S) DIODE SMD BAW56 DUAL SWITCH SOT-23 C	R506		038-15470-00	RES 0603 CHIP 47K 1/16W +-5%
D521		001-10000-56	(S) DIODE SMD BAW56 DUAL SWITCH SOT-23 C	R508		038-15470-00	RES 0603 CHIP 47K 1/16W +-5%
D700		001-10001-61	(S) DIODE SMD BAS16W HIGH SPEED GEN PURP	R509		036-18100-00	RES M/F 0805 CHIP 10M 10%
D701		001-10001-61	(S) DIODE SMD BAS16W HIGH SPEED GEN PURP	R510		038-15470-00	RES 0603 CHIP 47K 1/16W +-5%
D703		001-10001-61	(S) DIODE SMD BAS16W HIGH SPEED GEN PURP	R511		038-16220-00	RES 0603 CHIP 220K 1/16W +-5%
D800		001-10000-70	(S) DIODE SMD BAV70 DUAL SWITCH SOT-23 C	R513		038-13470-00	RES 0603 CHIP 470E 1/16W +-5%
D801		001-10000-99	(S) DIODE SMD BAV99 DUAL SWITCH SINGLE INL	R514		038-13330-00	RES 0603 CHIP 330E 1/16W +-5%
D802		001-10084-62	(S) DIODE ZENER SMD BZX84C6V2 SOT23	R516		038-16100-00	RES 0603 CHIP 100K 1/16W +-5%
D802A		001-10084-62	(S) DIODE ZENER SMD BZX84C6V2 SOT23	R516A		038-15470-00	RES 0603 CHIP 47K 1/16W +-5%
D803		001-10084-91	(S) DIODE ZENER SMD BZX84C9V1 SOT23	R517		038-16100-00	RES 0603 CHIP 100K 1/16W +-5%
D803A		001-10084-91	(S) DIODE ZENER SMD BZX84C9V1 SOT23	R517A		038-15470-00	RES 0603 CHIP 47K 1/16W +-5%
D804		001-10084-62	(S) DIODE ZENER SMD BZX84C6V2 SOT23	R518		038-13100-00	RES 0603 CHIP 100E 1/16W +-5%
D804A		001-10084-62	(S) DIODE ZENER SMD BZX84C6V2 SOT23	R518A		038-15470-00	RES 0603 CHIP 47K 1/16W +-5%
D805		001-10084-91	(S) DIODE ZENER SMD BZX84C9V1 SOT23	R519		038-15470-00	RES 0603 CHIP 47K 1/16W +-5%
D806		001-10084-91	(S) DIODE ZENER SMD BZX84C9V1 SOT23	R519A		038-15470-00	RES 0603 CHIP 47K 1/16W +-5%
FUSE		265-10050-00	FUSE SMD 500MA 63V 0805 CER CHIP	R520		038-15470-00	RES 0603 CHIP 47K 1/16W +-5%
IC500		002-26870-57	(LSH) IC MC68HC705C9 MASKED MPU (T3010	R525		038-16100-00	RES 0603 CHIP 100K 1/16W +-5%
IC502		002-12504-05	(LS) IC SMD X250405C-7000 512BYTE SER E	R526		038-16100-00	RES 0603 CHIP 100K 1/16W +-5%
IC503		002-74901-38	(S) IC SMD 74HC138 DEMUX	R527		038-15470-00	RES 0603 CHIP 47K 1/16W +-5%
IC505		002-74905-95	(S) IC SMD 74HC595 SHIFT REGISTER	R527A		038-16470-00	RES 0603 CHIP 470K 1/16W +-5%
IC506		002-74905-95	(S) IC SMD 74HC595 SHIFT REGISTER	R528		038-16100-00	RES 0603 CHIP 100K 1/16W +-5%
IC507		002-10340-64	(S) IC SMD MC34064 LO VOLT SENSE	R529A		038-14100-00	RES 0603 CHIP 1K0 1/16W +-5%
IC508		002-21450-41	(S) IC 8BIT A/D CNVTR SER I/F PLLC20	R530		038-13330-00	RES 0603 CHIP 330E 1/16W +-5%
IC509		002-16235-40	(S) IC M62354GP 8BIT 6CHNL D-A CONVERT	R530A		038-15470-00	RES 0603 CHIP 47K 1/16W +-5%
IC510		002-74901-41	(S) IC SMD 74HC14DR2 SCHMITT HEX INVERT	R531		038-15270-00	RES 0603 CHIP 47K 1/16W +-5%
IC511		002-14410-00	(S) IC SMD HD44100H LCD DRIVER 40 SEGME	R532		038-15270-00	RES 0603 CHIP 27K 1/16W +-5%
IC512		002-74907-40	(S) IC 74HC74 DUAL D-TYPE FLIP FLOP SO-	R532A		038-16220-00	RES 0603 CHIP 220K 1/16W +-5%
IC514		002-74900-00	(S) IC SMD 74HC00 QUAD 2 I/P NAND	R533		038-13100-00	RES 0603 CHIP 100E 1/16W +-5%
IC601		002-10003-24	(S) IC SMD 324 QUAD OP AMP SO14	R534		038-13100-00	RES 0603 CHIP 100E 1/16W +-5%
IC602		002-10003-24	(S) IC SMD 324 QUAD OP AMP SO14	R535		038-13100-00	RES 0603 CHIP 100E 1/16W +-5%
IC603		002-10040-53	(S) IC 4053 SMD TRIPLE 2CH MULTI-PLRX	R536		038-15150-00	RES 0603 CHIP 15K 1/16W +-5%
IC604		002-10282-20	(S) IC SMD TDA2822D SO8 DUAL AUDIO OP-A	R537		038-14470-00	RES 0603 CHIP 4K7 1/16W +-5%
IC606		002-10282-20	(S) IC SMD TDA2822D SO8 DUAL AUDIO OP-A	R538		038-13100-00	RES 0603 CHIP 100E 1/16W +-5%
IC607		002-10931-30	(S) IC SMD X9313 10K DIGTLY CNTRLD POT	R539		038-12220-00	RES 0603 CHIP 22E 1/16W +-5%
IC700		002-13317-40	(S) IC MC33174D QUAD OP-AMP SMD	R540		038-16100-00	RES 0603 CHIP 100K 1/16W +-5%
IC701		002-13317-40	(S) IC MC33174D QUAD OP-AMP SMD	R541		038-16100-00	RES 0603 CHIP 100K 1/16W +-5%
IC702		002-10126-71	(LS) IC SMD DS1267E 10K DUAL DIGTL CNTR	R542		038-12220-00	RES 0603 CHIP 22E 1/16W +-5%
IC800		002-11155-00	(S) IC TK11550M SMD SWITCHABLE 5V REG S	R543		038-16100-00	RES 0603 CHIP 100K 1/16W +-5%
IC801		002-11155-00	(S) IC TK11550M SMD SWITCHABLE 5V REG S	R544		038-17100-00	RES 0603 CHIP 1M 1/16W +-5%
LCD		008-02030-00	(S) LCD DISPLAY A2M2749 T3010	R545		038-15270-00	RES 0603 CHIP 27K 1/16W +-5%
L800		050-10000-40	COIL SMD DC/DC CNVRTR SUMIDA CP-4LBM P52	R546		038-15270-00	RES 0603 CHIP 27K 1/16W +-5%
P-FLEX		240-02010-93	CONN 22WAY FFC MOLEX RGT ANGLE (SMD PC	R547		038-16100-00	RES 0603 CHIP 100K 1/16W +-5%
PTTSKT		240-04021-64	SKT SMD 4 WAY MOLEX	R548		038-14470-00	RES 0603 CHIP 4K7 1/16W +-5%
Q500		000-10084-81	(S) XSTR SMD BC848BW NPN SOT-323 SMALL S	R549		038-14470-00	RES 0603 CHIP 4K7 1/16W +-5%
Q501		000-10085-71	(S) XSTR SMD BC857BW PNP SOT-323 SMALL S	R550		038-16100-00	RES 0603 CHIP 100K 1/16W +-5%
Q502		000-10084-81	(S) XSTR SMD BC848BW NPN SOT-323 SMALL S	R551		038-12220-00	RES 0603 CHIP 22E 1/16W +-5%
Q503		000-10084-81	(S) XSTR SMD BC848BW NPN SOT-323 SMALL S	R552		038-16100-00	RES 0603 CHIP 100K 1/16W +-5%
Q504		000-10084-81	(S) XSTR SMD BC848BW NPN SOT-323 SMALL S	R553		038-15100-00	RES 0603 CHIP 10K 1/16W +-5%
Q505		000-10084-81	(S) XSTR SMD BC848BW NPN SOT-323 SMALL S	R554		038-13470-00	RES 0603 CHIP 470E 1/16W +-5%
Q506		000-10085-71	(S) XSTR SMD BC857BW PNP SOT-323 SMALL S	R555		038-16100-00	RES 0603 CHIP 100K 1/16W +-5%
Q510		000-10084-81	(S) XSTR SMD BC848BW NPN SOT-323 SMALL S	R557		038-15100-00	RES 0603 CHIP 10K 1/16W +-5%
Q511		000-10084-81	(S) XSTR SMD BC848BW NPN SOT-323 SMALL S	R559		038-13470-00	RES 0603 CHIP 470E 1/16W +-5%
Q512		000-10084-81	(S) XSTR SMD BC848BW NPN SOT-323 SMALL S	R560		036-11470-00	RES M/F 0805 CHIP 4E7 5%
Q513		000-10084-81	(S) XSTR SMD BC848BW NPN SOT-323 SMALL S	R562		038-15270-00	RES 0603 CHIP 27K 1/16W +-5%
Q514		000-10084-81	(S) XSTR SMD BC848BW NPN SOT-323 SMALL S	R563		045-15100-00	RES NTC SMD 10K 5%
Q517		000-10084-81	(S) XSTR SMD BC848BW NPN SOT-323 SMALL S	R564		038-13100-00	RES 0603 CHIP 100E 1/16W +-5%
Q520		000-10084-81	(S) XSTR SMD BC848BW NPN SOT-323 SMALL S	R568		038-16100-00	RES 0603 CHIP 100K 1/16W +-5%
Q521		000-10084-81	(S) XSTR SMD BC848BW NPN SOT-323 SMALL S	R569		038-15100-00	RES 0603 CHIP 10K 1/16W +-5%
Q522		000-10084-81	(S) XSTR SMD BC848BW NPN SOT-323 SMALL S	R570		038-13100-00	RES 0603 CHIP 100E 1/16W +-5%
Q600		000-10084-81	(S) XSTR SMD BC848BW NPN SOT-323 SMALL S	R571		038-16220-00	RES 0603 CHIP 220K 1/16W +-5%
Q601		000-10084-81	(S) XSTR SMD BC848BW NPN SOT-323 SMALL S	R572		038-13470-00	RES 0603 CHIP 470E 1/16W +-5%
Q602		000-10003-00	(S) XSTR BSR30 PNP AF POWER SOT-89	R573		038-15100-00	RES 0603 CHIP 10K 1/16W +-5%
Q603		000-10084-81	(S) XSTR SMD BC848BW NPN SOT-323 SMALL S	R574		038-17100-00	RES 0603 CHIP 1M 1/16W +-5%
Q604		000-10003-00	(S) XSTR BSR30 PNP AF POWER SOT-89	R578		038-15470-00	RES 0603 CHIP 47K 1/16W +-5%
Q605		000-10084-81	(S) XSTR SMD BC848BW NPN SOT-323 SMALL S	R579		038-16100-00	RES 0603 CHIP 100K 1/16W +-5%
Q701		000-10085-71	(S) XSTR SMD BC857BW PNP SOT-323 SMALL S	R580		038-14100-00	RES 0603 CHIP 10K 1/16W +-5%
Q702		000-10084-81	(S) XSTR SMD BC848BW NPN SOT-323 SMALL S	R581		038-14100-00	RES 0603 CHIP 1K0 1/16W +-5%
Q703		000-10084-81	(S) XSTR SMD BC848BW NPN SOT-323 SMALL S	R582		038-14100-00	RES 0603 CHIP 10K 1/16W +-5%
Q704		000-10084-81	(S) XSTR SMD BC848BW NPN SOT-323 SMALL S	R583		038-16100-00	RES 0603 CHIP 100K 1/16W +-5%
Q705		000-10084-81	(S) XSTR SMD BC848BW NPN SOT-323 SMALL S	R585		038-16100-00	RES 0603 CHIP 100K 1/16W +-5%
Q706		000-10085-71	(S) XSTR SMD BC857BW PNP SOT-323 SMALL S	R593		038-15470-00	RES 0603 CHIP 47K 1/16W +-5%
Q707		000-10084-81	(S) XSTR SMD BC848BW NPN SOT-323 SMALL S	R594		038-15470-00	RES 0603 CHIP 47K 1/16W +-5%
Q708		000-10085-71	(S) XSTR SMD BC857BW PNP SOT-323 SMALL S	R595		038-15470-00	RES 0603 CHIP 47K 1/16W +-5%
Q800		000-10003-00	(S) XSTR BSR30 PNP AF POWER SOT-89	R596		038-15470-00	RES 0603 CHIP 47K 1/16W +-5%
				R597		038-15470-00	RES 0603 CHIP 47K 1/16W +-5%
				R598		038-15470-00	RES 0603 CHIP 47K 1/16W +-5%
				R600		038-14470-00	RES 0603 CHIP 4K7 1/16W +-5%

Ref	Var	IPN	Description	Ref	Var	IPN	Description
R601		038-17100-00	RES 0603 CHIP 1M 1/16W +5%	R733		038-17100-00	RES 0603 CHIP 1M 1/16W +5%
R602		038-16100-00	RES 0603 CHIP 100K 1/16W +5%	R734		038-14330-00	RES 0603 CHIP 3K3 1/16W +5%
R603		038-16100-00	RES 0603 CHIP 100K 1/16W +5%	R735		038-15100-00	RES 0603 CHIP 10K 1/16W +5%
R604		038-16220-00	RES 0603 CHIP 220K 1/16W +5%	R738		038-15100-00	RES 0603 CHIP 10K 1/16W +5%
R605		038-16220-00	RES 0603 CHIP 220K 1/16W +5%	R739		038-17100-00	RES 0603 CHIP 1M 1/16W +5%
R606		038-16470-00	RES 0603 CHIP 470K 1/16W +5%	R740		038-17100-00	RES 0603 CHIP 1M 1/16W +5%
R608		038-16100-00	RES 0603 CHIP 100K 1/16W +5%	R742		038-15150-00	RES 0603 CHIP 15K 1/16W +5%
R609		038-15470-00	RES 0603 CHIP 47K 1/16W +5%	R743		038-15100-00	RES 0603 CHIP 10K 1/16W +5%
R610		038-15470-00	RES 0603 CHIP 47K 1/16W +5%	R744		038-15100-00	RES 0603 CHIP 10K 1/16W +5%
R611		038-14100-00	RES 0603 CHIP 1K0 1/16W +5%	R747		038-13100-00	RES 0603 CHIP 100E 1/16W +5%
R612		038-14100-00	RES 0603 CHIP 1K0 1/16W +5%	R748		038-13100-00	RES 0603 CHIP 100E 1/16W +5%
R613		038-17100-00	RES 0603 CHIP 1M 1/16W +5%	R750		038-15470-00	RES 0603 CHIP 47K 1/16W +5%
R614		038-15150-00	RES 0603 CHIP 15K 1/16W +5%	R752		038-15470-00	RES 0603 CHIP 47K 1/16W +5%
R615		038-14150-00	RES 0603 CHIP 1K5 1/16W +5%	R753		036-15680-00	RES M/F 0805 CHIP 68K 5%
R616A		038-12220-00	RES 0603 CHIP 22E 1/16W +5%	R754		036-16150-00	RES M/F 0805 CHIP 150K 5%
R616B		038-12220-00	RES 0603 CHIP 22E 1/16W +5%	R757		038-15270-00	RES 0603 CHIP 27K 1/16W +5%
R616C		038-12220-00	RES 0603 CHIP 22E 1/16W +5%	R758		038-15270-00	RES 0603 CHIP 27K 1/16W +5%
R616D		038-12220-00	RES 0603 CHIP 22E 1/16W +5%	R759		038-16100-00	RES 0603 CHIP 100K 1/16W +5%
R617		038-13470-00	RES 0603 CHIP 470E 1/16W +5%	R760		038-15150-00	RES 0603 CHIP 15K 1/16W +5%
R618		038-11470-00	RES 0603 CHIP 4E7 1/16W +5%	R761		038-14680-00	RES 0603 CHIP 6K8 1/16W +5%
R619		038-13470-00	RES 0603 CHIP 470E 1/16W +5%	R762		038-17100-00	RES 0603 CHIP 1M 1/16W +5%
R621		038-16100-00	RES 0603 CHIP 100K 1/16W +5%	R763		038-14100-00	RES 0603 CHIP 1K0 1/16W +5%
R622		038-16220-00	RES 0603 CHIP 220K 1/16W +5%	R765		038-14470-00	RES 0603 CHIP 4K7 1/16W +5%
R623		038-16220-00	RES 0603 CHIP 220K 1/16W +5%	R766		038-14470-00	RES 0603 CHIP 4K7 1/16W +5%
R625		038-16220-00	RES 0603 CHIP 220K 1/16W +5%	R767		038-15100-00	RES 0603 CHIP 10K 1/16W +5%
R627		038-15270-00	RES 0603 CHIP 27K 1/16W +5%	R768		038-15100-00	RES 0603 CHIP 10K 1/16W +5%
R628		038-15150-00	RES 0603 CHIP 15K 1/16W +5%	R769		038-15100-00	RES 0603 CHIP 10K 1/16W +5%
R629		038-16220-00	RES 0603 CHIP 220K 1/16W +5%	R770		038-15150-00	RES 0603 CHIP 15K 1/16W +5%
R630		038-15150-00	RES 0603 CHIP 15K 1/16W +5%	R771		038-14470-00	RES 0603 CHIP 4K7 1/16W +5%
R631		038-14680-00	RES 0603 CHIP 6K8 1/16W +5%	R772		036-15180-00	RES M/F 0805 CHIP 18K 5%
R632		038-15150-00	RES 0603 CHIP 15K 1/16W +5%	R773		036-15560-00	RES M/F 0805 CHIP 56K 5%
R633		038-11470-00	RES 0603 CHIP 4E7 1/16W +5%	R774		038-13470-00	RES 0603 CHIP 470E 1/16W +5%
R635		038-14470-00	RES 0603 CHIP 4K7 1/16W +5%	R776		038-16100-00	RES 0603 CHIP 100K 1/16W +5%
R636		038-14220-00	RES 0603 CHIP 2K2 1/16W +5%	R779		038-12220-00	RES 0603 CHIP 22E 1/16W +5%
R637		038-15270-00	RES 0603 CHIP 27K 1/16W +5%	R780		038-12220-00	RES 0603 CHIP 22E 1/16W +5%
R638		038-16470-00	RES 0603 CHIP 470K 1/16W +5%	R800		038-15270-00	RES 0603 CHIP 27K 1/16W +5%
R639		038-16220-00	RES 0603 CHIP 220K 1/16W +5%	R801		038-15100-00	RES 0603 CHIP 10K 1/16W +5%
R641		038-15270-00	RES 0603 CHIP 27K 1/16W +5%	R802		038-13470-00	RES 0603 CHIP 470E 1/16W +5%
R642		038-15150-00	RES 0603 CHIP 15K 1/16W +5%	R803		038-14220-00	RES 0603 CHIP 2K2 1/16W +5%
R643		038-14470-00	RES 0603 CHIP 4K7 1/16W +5%	R805		038-14470-00	RES 0603 CHIP 4K7 1/16W +5%
R646		038-16470-00	RES 0603 CHIP 470K 1/16W +5%	R806		036-14120-00	RES M/F 0805 CHIP 1K2 5%
R647		038-16100-00	RES 0603 CHIP 100K 1/16W +5%	R807		038-15150-00	RES 0603 CHIP 15K 1/16W +5%
R649		038-15100-00	RES 0603 CHIP 10K 1/16W +5%	R808		038-14150-00	RES 0603 CHIP 1K5 1/16W +5%
R650		038-17100-00	RES 0603 CHIP 1M 1/16W +5%	R810		038-12220-00	RES 0603 CHIP 22E 1/16W +5%
R651		038-14100-00	RES 0603 CHIP 1K0 1/16W +5%	R811		038-12470-00	RES 0603 CHIP 47E 1/16W +5%
R652		038-17100-00	RES 0603 CHIP 1M 1/16W +5%	R812		038-16100-00	RES 0603 CHIP 100K 1/16W +5%
R653		038-15270-00	RES 0603 CHIP 27K 1/16W +5%	R813		038-15470-00	RES 0603 CHIP 47K 1/16W +5%
R656		038-17100-00	RES 0603 CHIP 1M 1/16W +5%	R814		038-15270-00	RES 0603 CHIP 27K 1/16W +5%
R657		038-16220-00	RES 0603 CHIP 220K 1/16W +5%	R815		038-13100-00	RES 0603 CHIP 100E 1/16W +5%
R658		038-17100-00	RES 0603 CHIP 1M 1/16W +5%	R816		038-13330-00	RES 0603 CHIP 330E 1/16W +5%
R659		038-16220-00	RES 0603 CHIP 220K 1/16W +5%	R817		038-12100-00	RES 0603 CHIP 10E 1/16W +5%
R660		038-16220-00	RES 0603 CHIP 220K 1/16W +5%	R820		038-14470-00	RES 0603 CHIP 4K7 1/16W +5%
R661		038-11470-00	RES 0603 CHIP 4E7 1/16W +5%	R821		038-14470-00	RES 0603 CHIP 4K7 1/16W +5%
R663		038-13100-00	RES 0603 CHIP 100E 1/16W +5%	R822		038-14470-00	RES 0603 CHIP 4K7 1/16W +5%
R664		038-13100-00	RES 0603 CHIP 100E 1/16W +5%				
R665		038-11470-00	RES 0603 CHIP 4E7 1/16W +5%				
R666		038-11470-00	RES 0603 CHIP 4E7 1/16W +5%				
R668		038-11470-00	RES 0603 CHIP 4E7 1/16W +5%				
R669		038-11470-00	RES 0603 CHIP 4E7 1/16W +5%				
R672		038-15100-00	RES 0603 CHIP 10K 1/16W +5%				
R673		038-15150-00	RES 0603 CHIP 15K 1/16W +5%				
R674		038-13330-00	RES 0603 CHIP 330E 1/16W +5%				
R675		038-16100-00	RES 0603 CHIP 100K 1/16W +5%				
R701		038-15470-00	RES 0603 CHIP 47K 1/16W +5%				
R702		038-14100-00	RES 0603 CHIP 1K0 1/16W +5%				
R703		038-14150-00	RES 0603 CHIP 1K5 1/16W +5%				
R704		038-17100-00	RES 0603 CHIP 1M 1/16W +5%				
R705		038-15270-00	RES 0603 CHIP 27K 1/16W +5%				
R706		038-14470-00	RES 0603 CHIP 4K7 1/16W +5%				
R707		038-15150-00	RES 0603 CHIP 15K 1/16W +5%				
R708		038-14470-00	RES 0603 CHIP 4K7 1/16W +5%				
R709		038-15270-00	RES 0603 CHIP 27K 1/16W +5%				
R710		038-15100-00	RES 0603 CHIP 10K 1/16W +5%				
R711		038-14150-00	RES 0603 CHIP 1K5 1/16W +5%				
R712		038-13330-00	RES 0603 CHIP 330E 1/16W +5%				
R713		038-14150-00	RES 0603 CHIP 1K5 1/16W +5%				
R723		038-14100-00	RES 0603 CHIP 1K0 1/16W +5%				
R724		038-15100-00	RES 0603 CHIP 10K 1/16W +5%				
R725		038-15470-00	RES 0603 CHIP 47K 1/16W +5%				
R726		038-16100-00	RES 0603 CHIP 100K 1/16W +5%				
R727		038-15470-00	RES 0603 CHIP 47K 1/16W +5%				
R728		038-16100-00	RES 0603 CHIP 100K 1/16W +5%				
R729		038-14470-00	RES 0603 CHIP 4K7 1/16W +5%				
R730		038-14100-00	RES 0603 CHIP 1K0 1/16W +5%				
R731		038-14470-00	RES 0603 CHIP 4K7 1/16W +5%				
R732		036-16150-00	RES M/F 0805 CHIP 150K 5%				

T3010 Mechanical & Miscellaneous Parts

IPN	Description	IPN	Description
205-00010-13	CABLE FLAT RBBN 10 CORE 10/7/0.1 GREY SPEAKER: 4 WAY X 80MM MIC: 2 WAY X 15MM		
209-01028-00	STRIP SS-0.1P 44.3L 3.5H 2.0W 0.6Z SI IMPRG EL		
220-01269-09	PCB T3010 CONTROL BOARD		
220-01281-04	(L) PCB FLEXI DOMED T3000 PRESSEL		
250-00010-25	SPKR T3000 PLASTIC FRAME 36MM 8E0 0W5		
252-00010-41	MIC CAPSULE ELECTRET 2.7X6MM		
303-50039-01	CLAMP A3M2750 SPKR MTG T3000		
303-50081-00	CONTACT CONTROL BOARD EARTHING		
304-07038-00	LIGHT SPREADER A3M2712 T3000		
306-01042-00	FRAME A3M2711 LCD T3000		
311-03073-02	(L) KEYPAD A1M2859 PRESSEL T3000 DOME SWITCH		
311-03092-00	KEYPAD T3010 SER II (6 KEY ENGRAVED TEXT)		
311-04002-01	(L) INSERT A4M2858 T3000 PRESSEL DOME		
312-01048-00	LENS A2M2709 T3000 RX/TX		
312-01056-01	LENS LCD DISPLAY T3000 HARDCOATED WITH BOAR		
316-06600-01	PNL FRT T3000 SII ELNI 6KEY COMPLETE		
316-85019-01	PIN A4M2754 AUX CONN (RADIO) T3000		
349-00010-54	SCREW M2X4MM PAN POZI PLASTITE		
349-00010-57	SCREW M2.5X6MM PAN POZI PLASTITE		
362-01061-02	SEAL AUX PIN (RADIO) T3000		
365-00100-09	LABEL WHITE VINYL 15X11MM S/A		
365-00100-16	LABEL BLANK T3000 Z-ULTIMATE 70*12 AND 15*12		
365-01507-00	LABEL MODEL IS SEAL LABEL		
369-00020-47	(L) TAPE VINYL FOAM 1 SIDE S/A 9*1.5MM INSEAL FOR X501		
369-01031-00	MIC RUBBER UPPER A3M2751 T3000		
369-01032-00	MIC RUBBER LOWER A2M2752 T3000		
369-01035-01	(L) TAPE D/S DIE CUT T3000 SPEAKER TO FNT PNL		
409-30100-02	(L) OPER MANL T3010 SII (ENGLISH)		
410-01096-02	PKG T3000 SII CASE & PRINTED INSERT		
489-30100-02	(L) QUICK AST CARD T3010 SII (ENGLISH)		

T3010 Grid Reference Index (IPN 220-01269-09)

Device	PCB	Circuit	Device	PCB	Circuit	Device	PCB	Circuit	Device	PCB	Circuit
ALC	2:M4	1-G0	C636	1:N4	1-N5	D514	2:J2	2-S5	IC606	1:N3	1-N4
AUX	1:P4	3-F3	C637	1:N4	1-O5	D516	2:P5	2-M4		1:N3	1-J5
			C638	2:N4	1-O5	D516	2:P5	2-L4		1:N3	1-N4
B.	2:F5	2-C6	C639	1:N4	1-O4	D517	1:F5	2-N0	IC607	1:M4	1-K3
&B500	1:C3	2-B5	C640	1:N3	1-N4	D517	1:F5	2-M0	IC700	1:L5	1-G2
			C641	1:N3	1-N4	D521	1:G4	2-U9		1:L5	1-H0
C501	2:E4	2-I6	C643	2:N4	1-M3	D521	1:G4	2-U9		1:L5	1-L2
C503	2:D3	2-H4	C644	1:N4	1-M3	&D522	2:C2	2-B5		1:L5	1-G1
C504	2:D3	2-H4	C645	2:N3	1-N3	&D522	2:C2	2-B5		1:L5	1-F2
C505	2:D4	2-J1	C646	1:P3	1-O4	D700	1:L3	1-C2	IC701	1:L3	1-J1
C506	2:D5	2-L5	C700	2:L5	1-H0	D701	1:K3	1-C1		1:L3	1-I0
C507	1:E2	2-K7	C701	2:L3	1-I0	D703	1:L4	1-C0		1:L3	1-K0
C508	2:C4	2-D2	C702	1:M2	1-M0	D800	1:A3	2-B8		1:L3	1-O0
C509	2:D4	2-J1	C703	2:M6	1-B2	D800	1:A3	2-B8		1:L3	1-J1
!C511	1:B5	2-E1	C704	2:M6	1-B2	D801	1:B3	2-S7	IC702	1:L2	1-M0
!C512	1:B4	2-E0	C705	2:M6	1-B2	D801	1:B3	2-S6		1:L2	1-L0
!C513	1:B5	2-F2	C706	1:L3	1-D2	D802	1:B4	2-D8		1:L2	1-L0
!C514	1:B5	2-G1	C707	2:L2	1-C1	D803	2:L5	1-B0	IC800	1:A3	2-B8
C515	1:H5	2-O6	C708	2:K2	1-C1	D804	1:H2	1-B1	IC801	1:N5	1-O1
&C516	2:C2	2-B5	C709	2:K2	1-C1	D805	2:A2	2-P6	INT-MIC	1:L2	1-B1
&C517	2:C2	2-C5	C710	2:L2	1-C1	D806	2:A3	2-Q6			
&C518	2:B3	2-D4	C711	1:K3	1-D0	D802A	1:A4	2-D8	L800	1:B3	2-Q6
C519	1:G5	2-R3	C712	2:L4	1-C0	D803A	2:L4	1-B0	LCD	2:K4	2-V1
C520	2:D2	2-L6	C715	1:L4	1-D1	D804A	2:B2	1-B1			
C521	1:D2	2-L6	C723	1:L4	1-E1	DISABLE	2:M4	1-G0	MIC-GND	1:L2	1-B1
C522	1:G2	2-O3	C724	1:L4	1-F1	DOWN	2:F4	2-B6			
C523	1:G4	2-N3	C725	1:L4	1-F0				ON/OFF	2:G5	2-A8
C524	2:E2	2-O4	C726	2:M5	1-G0	FUSE	1:K6	1-A0	OPT-A	1:M2	3-F2
C525	1:G3	2-P4	C728	2:L5	1-F1				OPT-A2	1:M2	3-F1
C526	2:E5	2-L4	C729	2:M4	1-H1	IC500	1:F4	2-H4	OPT-B	1:M3	3-F1
C527	2:E5	2-M4	C730	2:L4	1-I1	!IC501	1:C5	2-B0			
C530	2:P4	2-V7	C731	1:M3	1-I0	IC502	2:E4	2-K1	P-FLEX	1:M6	3-F2
C531	2:N4	2-V8	C735	1:L3	1-J1	IC503	2:D4	2-J4	PTTSKT	1:H4	2-C7
C532	2:N4	2-V9	C736	1:L3	1-J1	!IC504	1:A5	2-F0			
C533	2:E4	2-T9	C737	2:M3	1-J0	IC505	1:E2	2-J6	Q500	2:D4	2-J1
C534	2:N3	2-V8	C738	2:M2	1-K0	IC506	1:E5	2-K4	Q501	1:E2	2-K6
C535	2:P3	2-V8	C739	1:M3	1-K0	IC507	1:B4	2-H7	Q502	2:E2	2-K6
C540	1:G4	2-N5	C741	1:M4	1-L1	IC508	1:F2	2-O3	Q503	1:G5	2-C6
C541	1:G4	2-N5	C742	2:L3	1-M0	IC509	1:F5	2-L3	Q504	1:H6	2-J2
C542	1:G5	2-N5	C743	2:L3	1-N0	IC510	1:G3	2-U7	Q505	1:F5	2-J0
C543	1:G4	2-M5	C744	2:L3	1-N0		1:G3	2-K3	Q506	1:B3	2-E8
C570	1:G3	2-O1	C745	1:L3	1-N0		1:G3	2-U9	Q510	2:E5	2-Q5
C571	1:H3	2-P0	C800	1:A3	2-A8		1:G3	2-O1	Q511	2:E5	2-R5
C601	2:M2	1-K5	C801	1:A3	2-A9		1:G3	2-O1	Q512	2:E4	2-T9
C602	2:M4	1-L5	C802	1:B4	2-C8		1:G3	2-O6	Q513	1:H5	2-J2
C603	2:N3	1-A4	C803	1:B3	2-D9		1:G3	2-S8	Q514	1:H5	2-J3
C604	1:N4	1-I5	C804	1:K5	2-D8	IC511	1:J4	2-T1	&Q515	2:C3	2-B5
C605	2:N5	1-C5	C805	2:N5	1-O2	IC512	1:J5	2-P2	&Q516	2:C3	2-B5
C606	1:N3	1-K5	C806	1:N5	1-N1		1:J5	2-P1	Q517	1:H5	2-J3
C607	2:M5	1-C5	C807	2:L6	1-M2	IC512	1:J5	2-P3	Q520	1:H4	2-M5
C608	2:M5	1-C5	C808	2:N5	1-P2	&IC513	2:C3	2-D5	Q521	1:H4	2-N5
C609	1:M5	1-D6	C809	1:N5	1-N2	IC514	1:G5	2-O4	Q522	1:G5	2-N4
C610	2:M6	1-E6	C810	1:A2	2-O6		1:G5	2-R3	Q600	2:M4	1-D5
C611	1:M5	1-E5	C811	1:A2	2-P6		1:G5	2-P4	Q601	2:N5	1-H5
C612	2:N3	1-A4	C812	1:A3	2-P6		1:G5	2-S3	Q602	1:N5	1-H5
C613	2:N3	1-B4	C813	1:B2	2-Q7		1:G5	2-R3	Q603	2:P3	1-J5
C614	1:M4	1-C3	C814	1:B2	2-Q6	IC601	1:M3	1-K5	Q604	1:N3	1-J5
C615	2:N2	1-D3	C815	1:B3	2-Q7		1:M3	1-B3	Q605	2:N3	1-M3
C616	2:N2	1-D4	C816	1:B3	2-R7		1:M3	1-G3	Q701	1:K4	1-C2
C617	2:N2	1-D4	C817	1:B2	2-S6		1:M3	1-E3	Q702	1:K4	1-E1
C618	1:M2	1-E4	C818	1:B2	2-T6		1:M3	1-C3	Q703	1:L4	1-E0
C619	2:N6	1-G5	C819	2:L6	2-T6	IC602	1:M5	1-E5	Q704	1:L4	1-E0
C620	2:M3	1-F3	C820	1:B3	2-R6		1:M5	1-L5	Q705	1:M4	1-F0
C621	2:M2	1-F3	C822	1:K5	2-E8		1:M5	1-D5	Q706	2:M5	1-G0
C622	2:M2	1-F3	C823	1:A3	2-B8		1:M5	1-L3	Q707	1:K4	1-C0
C624	2:N4	1-H3	C613A	2:M3	1-B4		1:M5	1-J3	Q708	1:K4	1-C0
C626	1:N4	1-I3	C708A	2:B3	1-C1	IC603	1:M3	1-G3	Q800	1:N5	1-O2
C627	2:M4	1-I3					1:M3	1-M5	Q801	1:B2	2-Q7
C628	2:N5	1-I3	D500	2:G4	2-Q5		1:M3	1-H3	Q802	1:B3	2-R7
C629	2:M5	1-J3	D501	2:G3	2-Q5		1:M3	1-B5			
C630	2:N5	1-I4	D511	2:J6	2-R5	IC604	1:N4	1-N5	R500	2:E4	2-H6
C632	2:N4	1-J3	D512	2:J6	2-R5		1:N4	1-H5	R501	1:B3	2-I7
C635	1:N4	1-N5	D513	2:J2	2-S5		1:N4	1-N5	!R502	2:D4	2-B2

Device	PCB	Circuit	Device	PCB	Circuit	Device	PCB	Circuit	Device	PCB	Circuit
R504	2:E2	2-A7	R579	1:G5	2-O4	R702	1:L4	1-C1	R516A	2:E3	2-G4
R505	1:G4	2-B7	R580	2:E3	2-C6	R703	2:L2	1-C1	R517A	2:E3	2-G4
R506	2:E5	2-C7	R581	2:E3	2-C6	R704	2:L3	1-C1	R518A	2:E3	2-G4
!R507	2:C3	2-D0	R582	2:E3	2-D6	R705	2:K4	1-D1	R519A	2:E3	2-H4
R508	2:D3	2-M7	R583	1:K5	2-Q2	R706	2:L3	1-D1	#R520A	1:G2	2-O3
R509	1:D4	2-H4	R584	1:K5	2-Q1	R707	2:L3	1-D0	R527A	1:H5	2-O6
R510	2:D4	2-J1	R585	1:H3	2-P1	R708	2:K3	1-D1	R529A	2:E5	2-I5
R511	2:D4	2-K1	R593	1:J6	2-I2	R709	1:K4	1-D1	R530A	2:E5	2-J6
!R512	1:B4	2-D2	R594	1:H5	2-J2	R710	2:M6	1-B2	R532A	2:D6	2-J5
R513	2:P5	2-L4	R595	1:H5	2-J2	R711	2:L4	1-D1	#R559A	2:P4	2-U9
R514	2:N5	2-M4	R596	1:H5	2-I3	R712	2:K4	1-D2	R616A	2:N4	1-F6
!R515	1:B4	2-D2	R597	1:H5	2-J3	R713	2:L4	1-D2	R616B	2:N4	1-F5
R516	1:G4	2-N4	R598	1:H5	2-J3	R723	2:M6	1-B2	R616C	2:N4	1-F5
R517	1:G4	2-N3	R600	2:M3	1-A5	R724	1:L4	1-C0	R616D	2:N5	1-F5
R518	1:G3	2-P4	R601	2:M3	1-B5	R725	1:K4	1-C0			
R519	1:G4	2-J4	R602	2:M3	1-C5	R726	1:L4	1-E1	!SELCAL	1:J2	3-I1
!R520	1:A5	2-G2	R603	2:N5	1-B6	R727	1:L4	1-F1	SPKR+	1:L2	1-P5
R520	1:H4	2-O2	R604	2:N5	1-B5	R728	2:L4	1-E0	SPKR-	1:L2	1-P5
!R521	1:B4	2-E1	R605	2:M5	1-C5	R729	1:L4	1-E0			
!R522	1:B5	2-G1	R606	2:M5	1-C5	R730	1:N6	1-B2	&TIMER	1:J2	3-I1
!R523	1:B5	2-G1	R608	2:M4	1-C5	R731	2:L4	1-F0			
!R524	1:B4	2-G1	R609	2:M4	1-C5	R732	1:L4	1-F0	UP	2:G4	2-B6
!R525	1:B4	2-G1	R610	2:M5	1-D5	R733	2:M4	1-F0			
R525	1:D2	2-K6	R611	2:M5	1-D5	R734	2:M4	1-G0	VOL+	2:G2	2-B6
R526	1:G4	2-M5	R612	2:M5	1-D6	R735	2:M5	1-B2	VOL-	2:F2	2-B6
R527	1:H4	2-O5	R613	2:M5	1-E5	R738	2:M4	1-G0			
R528	1:H4	2-M5	R614	2:M5	1-E5	R739	2:M5	1-G0	X501	1:D4	2-H4
!R529	1:B5	2-E2	R615	2:M5	1-E6	R740	2:L4	1-F1	&X503	1:C4	2-C4
R530	2:E3	2-L6	R617	2:N5	1-H5	R742	2:M5	1-G1			
R531	2:E3	2-J6	R618	1:N6	1-I5	R743	2:M4	1-H1			
R532	2:E3	2-J6	R619	2:N3	1-J5	R744	2:M3	1-H1			
R533	1:G5	2-Q6	R621	2:N3	1-A4	R747	2:L3	1-I0			
R534	1:J6	2-R6	R622	2:N3	1-A4	R748	2:L4	1-H0			
R535	1:H2	2-S6	R623	2:N3	1-A4	R750	2:L4	1-I1			
R536	2:E5	2-O5	R625	2:N2	1-C4	R752	1:M3	1-I1			
R537	2:E5	2-Q5	R627	1:N2	1-C3	R753	1:L3	1-J1			
R538	2:E5	2-Q5	R628	2:N3	1-C3	R754	1:L3	1-J1			
R539	2:E5	2-R5	R629	2:N2	1-D3	R757	2:M3	1-J0			
R540	1:G5	2-B8	R630	2:M2	1-D3	R758	2:M3	1-J0			
R541	1:G4	2-B8	R631	2:N3	1-D3	R759	2:M3	1-K0			
R542	2:E5	2-L4	R632	2:N2	1-E3	R760	2:M3	1-K0			
R543	1:G5	2-M3	R633	2:N3	1-A3	R761	2:M3	1-K0			
R544	1:G5	2-M3	R635	2:N2	1-E3	R762	1:M3	1-K0			
R545	1:F5	2-J0	R636	2:N2	1-E3	R763	1:L3	1-L1			
R546	1:F5	2-J0	R637	2:N3	1-D3	R765	2:M4	1-L1			
R547	1:F5	2-J0	R638	2:M2	1-E4	R766	2:M4	1-L1			
R548	1:E6	2-M3	R639	2:M2	1-E4	R767	2:L4	1-L2			
R549	1:F5	2-M3	R641	2:M2	1-F3	R768	1:M5	1-M1			
R550	1:G4	2-U8	R642	2:M2	1-F3	R769	1:N5	1-M2			
R551	1:G3	2-U7	R643	2:M2	1-F3	R770	2:L3	1-M0			
R552	1:G4	2-U8	R646	2:M3	1-F4	R771	2:L3	1-M0			
R553	2:N4	2-U9	R647	2:N3	1-F4	R772	2:L3	1-M0			
R554	2:P4	2-V7	R649	2:N2	1-H3	R773	2:L3	1-N0			
R555	2:N4	2-V9	R650	2:M4	1-H4	R774	2:L3	1-O0			
#R556	2:E5	2-U9	R651	2:M4	1-I4	R776	1:M2	1-L0			
R557	1:G5	2-N4	R652	2:M4	1-I4	R779	1:L4	1-F0			
#R558	2:P4	2-U9	R653	2:N5	1-I4	R780	1:L4	1-G0			
R559	1:P4	2-V9	R656	2:N5	1-I4	R800	1:G5	2-A9			
R560	2:P4	2-V7	R657	2:M5	1-J4	R801	1:B3	2-F9			
R562	1:G2	2-N4	R658	2:N5	1-J4	R802	1:K5	2-D9			
R563	1:G2	2-N4	R659	2:M4	1-J3	R803	1:K5	2-E9			
R564	1:P4	2-V8	R660	2:N4	1-J3	R805	1:N5	1-N2			
!R565	2:D5	2-B1	R661	1:N2	2-V6	R806	1:P5	1-N2			
!R566	2:D5	2-B1	R663	2:M4	1-L5	R807	1:N4	1-P1			
!R567	2:D5	2-A1	R664	2:M3	1-K5	R808	1:P5	1-M2			
R568	2:E4	2-T9	R665	1:N4	1-O5	R810	1:A2	2-O6			
R569	2:E4	2-U9	R666	2:N4	1-O5	R811	1:A3	2-P6			
R570	1:P3	2-V8	R667	2:N3	1-O4	R812	1:B2	2-Q7			
R571	1:G3	2-O1	R668	1:P4	1-O4	R813	1:B2	2-Q7			
R572	1:H3	2-P1	R669	1:P3	1-O3	R814	1:B3	2-Q6			
R573	1:G3	2-P1	R670	2:P3	1-O4	R815	1:B2	2-S7			
R574	1:G3	2-O1	R672	2:N3	1-M3	R816	1:B2	2-S7			
&R575	2:C3	2-A5	R673	2:N3	1-M3	R817	1:K6	1-B0			
&R576	2:C3	2-A5	R674	2:N3	1-M3	R820	2:H3	2-D7			
&R577	2:C3	2-B5	R675	2:N3	1-M3	R821	2:H3	2-D7			
R578	1:E5	2-N0	R701	1:K2	1-C2	R822	2:H4	2-E7			